

IP DUAL SENSOR THERMAL PTZ CAMERA



ENC-HHP7Z-300R-34

FEATURES

384x288 VOx Uncooled Focal Plane Detector

Sensitivity $\leq 40\text{mK}$

25 mm Motorized Focus Lens

Areas / Spot / Line Temperature Measurement Rule Support

17 Color Patterns Support

Electronic Image Stabilization

IP67, PoE++



SPECIFICATION

| | | |
|-------------------------|--|--|
| MODEL | Model No. | ENC-HHP7Z-300R-34 |
| | Type | IP DUAL SENSOR THERMAL PTZ CAMERA |
| THERMAL CAMERA | Detector Type | Uncooled VOx Focal Plane Arrays |
| | Effective Pixels | 384x288 and Image can be scaled up to 1280x720 |
| | Pixel Size | 12um |
| | Thermal Sensitivity (NETD) | $\leq 40\text{ mK}$ |
| | Spectral Range | 8 ~ 14um |
| | Image Settings | Brightness, Sharpness, Contrast, 2D/3D DNR, Mirror / Flip, FFC |
| | Color Palettes | White & Black Hot, Ironbow, Rainbow etc. up to 17 modes |
| | Iris | Auto Fixed IRIS |
| THERMAL LENS | Lens | Fixed |
| | Focus Control | Motorized Focus |
| | Focal Length | 25 mm |
| | F No | 1.0 |
| | Angle of View | 10.5 ° (H), 7.9 ° (V) |
| | Detection Distance | Human(1.8 x0.5m): 735 m ; Vehicle(4 x1.5m): 2255 m; Fire(1 x1m): 735 m |
| | Recognition Distance | Human(1.8 x0.5m): 184 m ; Vehicle(4 x1.5m): 564 m; Fire(1 x1m): 245 m |
| Identification Distance | Human(1.8 x0.5m): 92 m ; Vehicle(4 x1.5m): 282 m; Fire(1 x1m): 123 m | |

IP DUAL SENSOR THERMAL PTZ CAMERA



ENC-HHP7Z-300R-34

| MODEL | Model No. | ENC-HHP7Z-300R-34 |
|-----------------|---|--|
| | Type | IP DUAL SENSOR THERMAL PTZ CAMERA |
| VISIBLE CAMERA | Image Sensor | 1/1.8" Sony CMOS |
| | Max Resolution | 2688 x 1520 |
| | Focal Length | 6.27 ~ 251 mm |
| | Optical Zoom | 40x |
| | Digital Zoom | 16x |
| | Focus Control | Auto / Semi Auto / Manual |
| | Max Aperture | F1.5 ~ F4.8 |
| | Shutter Speed | 1s ~ 1/100,000s, Auto / Manual |
| | Min. illumination | Color: 0.001 lux @ F1.5, B/W: 0.0001 lux, 0 lux with IR |
| | AGC | Auto / Manual |
| | Angle of View (H) | 60.7° ~ 2.3° |
| | Angle of View (V) | 36.8° ~ 1.3° |
| | Angle of View (D) | 70.9° ~ 2.6° |
| | S/N Ratio | ≥55dB |
| WDR | 120dB | |
| Smart IR | Up to 300 m | |
| VIDEO | Video Compression | H.265+, H.265, H.264, MJPEG |
| | Frame Rate | Main Stream: Thermal: (1280×720, 704×576, 384×288) @25fps; Visible: (2688×1520, 2560×1440, 2304×1296, 1920×1080, 1280×720) @25/30fps Sub Stream: Thermal: (704×576, 384×288, 352×240) @25/30fps; Visible: (D1, VGA) @25/30fps |
| | Bit Rate Control | CBR/VBR |
| | Bit Rate | Thermal: 100 Kbps ~ 8 Mbps Visible: 100 Kbps ~ 16 Mbps |
| | Defog | Supported |
| | DVE Image Enhance | Supported |
| | BLC | Supported |
| | HLC | Supported |
| | OSD | Supported |
| | OSD Type | Title, Week, Date, Time, Text with different colors and adaptable sizes (Small / Medium / Big), Image overlay |
| | ROI | Up to 8 regions |
| Privacy Masking | Up to 40 regions (each scene up to 8) | |
| AUDIO | Audio Compression | G.711A, G.711U, RAW_PCM |
| | Audio Bitrate | 64kbps, 128kbps |
| | Audio I/O | 1/1 |
| TEMPERATURE | Detection Mode | Spot, Line, Area (Total 20 Rules - 1 Full Screen and 19 others) |
| | Alarm | Over/Difference Alarm |
| | Accuracy | ±8°C |
| | Response Time | ≤ 30ms |
| | Measurement range | -20°C ~ 150°C |
| INTERFACE | Protocols | TCP/IP, UDP, IPv4, IPv6, ICMP, HTTP, HTTPS, FTP, DHCP, DNS, DDNS, RTP/RTCP, RTSP, PPPoE, NTP, UPnP, SMTP (SSL/TLS), IGMP, 802.1x, QoS, Multicast, SNMP, ARP |
| | Security | AES Video Encryption, IP Filter, User Authentication (Multiple Privilege Level), Digest Authentication, User Access Log |
| | Compatibility | ONVIF (Profile S, G, T), CGI / SDK |
| | Network | 1x RJ45 10M/100M Self Adaptive Ethernet Port |
| | Serial Interface | 1xRS485 |
| | BNC | Supported |
| | Edge Storage | SD card slot, up to 256 GB |
| | Alarm Interface | 7 Input / 2 Output |
| | Heater | Supported |
| | Fan | Supported |
| | Max. User | 10 |
| | Client Application | EyeGuard |
| | Wiper | Supported |

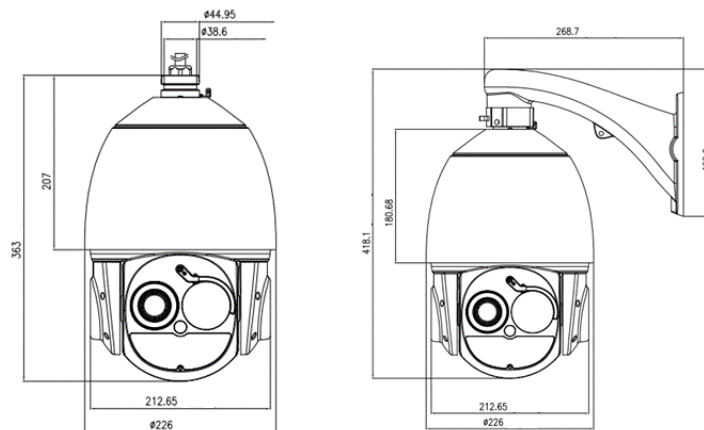
IP DUAL SENSOR THERMAL PTZ CAMERA



ENC-HHP7Z-300R-34

| | | |
|--------------|----------------------------|---|
| MODEL | Model No. | ENC-HHP7Z-300R-34 |
| | Type | IP DUAL SENSOR THERMAL PTZ CAMERA |
| SMART | Behaviour Detection | Intrusion (Perimeter), Crossline (Tripwire), Double Crossline (Double Tripwire) |
| | Intelligent Identification | Loitering, Region Entry / Exit |
| | Statistical Analysis | Wrong Way Detection, People Counting, Human / Vehicle Detection, Smoke and Fire Detection |
| | Alarm Management | Motion Detection, Disk Full Alarm, Temperature Alarm, Input / Output Alarm, IVS Alarm |
| | Alarm Notification | E-mail, HTTP, FTP, SD card & Alarm Out (Event Notification/ Recording/ Snapshot upload through E-mail, HTTP, FTP & SD card) |
| PAN AND TILT | Pan Range | 0° ~ 360° (Endless) |
| | Pan Speed | Pan Manual Speed: 0.01° ~ 300°/s, Pan Preset Speed: 300° /s |
| | Tilt Range | -10° ~ +90° |
| | Tilt Speed | Tilt Manual Speed: 0.01° ~ 240° /s, Tilt Preset Speed: 240° /s |
| | Preset Accuracy | ± 0.2° |
| | Number of Presets | 400 |
| | PTZ Mode | 12 Scan, 12 Patrol, 6 Track (32 Preset per Patrol) |
| | Speed Setup | Auto/Manual (0-8) |
| | Power Off Memory | Supported |
| | Idle Motion | Activate Preset/ Scan/Tour/Pattern if there is no command in the specified period |
| GENERAL | Power Supply | DC 36V(Default)/ AC 24V, PoE++(IEEE 802.3bt) |
| | Max. Power consumption | 45 W |
| | Working Temperature | -40 °C ~ 60 °C |
| | Working Humidity | ≤95% RH |
| | Casing | Metal |
| | Ingress Protection | IP67 |
| | Surge Protection | TVS6000V |
| | Reset Button | Supported |
| | Dimensions | φ226×363 mm |
| | Weight | 6 Kg |

Dimension Unit : mm



IP DUAL SENSOR THERMAL PTZ CAMERA



ENC-HHP7Z-300R-34

ORDERING INFORMATION

| Part Number | Description | Standard Quantity |
|-------------------|--|-------------------|
| ENC-HHP7Z-300R-34 | 4MP IP Dual Sensor Temperature Detection Thermal PTZ Camera with Visible Lens of 40X Optical Zoom and Thermal Imaging Camera with 384*288 Thermal Resolution, 25mm Motorized Focus Lens, 300m IR support, PoE++ and SD Card Slot Support | 1 |

PACKING INFORMATION

| Part Number | Packing Mode | Gross weight(Kg) | Dimension(mm) |
|-------------------|--------------|------------------|---------------|
| ENC-HHP7Z-300R-34 | Carton Box | - | - |