

# 2MP PIN HOLE CAMERA



## ENC-HMP5F-00R-51

### FEATURES

2MP Resolution
3.7 mm Lens
Triple Stream
ONVIF Profile (S, G, T)
PoE



### SPECIFICATION

MODEL	Model No.	ENC-HMP5F-00R-51
	Type	2MP PIN HOLE CAMERA
CAMERA	Image Sensor	1/2.8" Progressive CMOS Sensor
	Day/ Night	Auto
	Lens Type	Fixed
	Focal Length	3.7 mm
	Aperture Range	F2.0
	Angle of View (H)	82.9°
	Angle of View (V)	41.1°
	Angle of View (D)	92.5°
	Shutter	1s ~ 1/100000s Auto/Manual
	Min. Illumination	Color: 0.01 Lux @ F2.0, B/W:001 Lux
	AGC	Auto/ Manual
	Digital Noise Reduction	2D / 3D DNR
	S/N Ratio	≥55dB
	WDR	120dB
Wavelength	850 nm	
VIDEO	Max.Resolution	1920x1080
	Frame Rate	Main Stream: (1920x1080, 1280x960, 1280x720) @25/30fps Sub Stream: (704x576, 640x480, 640x360, 352x288, 320x240) @25/30fps Third Stream: (640x480, 352x288, 320x240) @25/30fps
	Video Compression	H.265+, H.265, H.264, MJPEG
	Bit Rate Type	CBR, VBR
	Video Bit Rate	100 kbps ~ 6 Mbps
	Image Settings	Brightness, Contrast, Saturation, Sharpness, Flip / Mirror / Rotation, Multiple Scene & Profile
	White Balance	Auto / Manual
	Corridor Mode	Supported
	HLC	Supported
	BLC	Supported
	ROI	Up to 8 regions
Privacy Mask	Up to 4 regions	

★Product specification and availability are subject to change without notice.

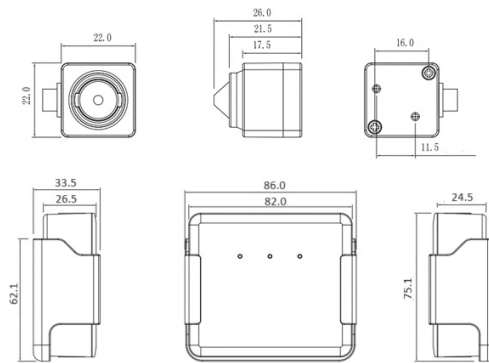
# 2MP PIN HOLE CAMERA



**ENC-HMP5F-00R-51**

<b>MODEL</b>	<b>Model No.</b>	<b>ENC-HMP5F-00R-51</b>
	Type	2MP PIN HOLE CAMERA
<b>INTERFACE</b>	Protocols	TCP/IP, UDP, IPv4, IPv6, ICMP, HTTP, HTTPS, FTP, DHCP, DNS, DDNS, RTP, RTSP, RTCP, PPPoE, NTP, UPnP, SMTP, IGMP, 802.1X, Unicast, Multicast, QoS, ARP, SNMP, SSL/TLS1.2
	Compatibility	ONVIF(Profile S, G, T), SDK / CGI
	Network	1 x RJ45 10M/100M Self Adaptive Ethernet port
	Alarm Interface	1/1
	Edge Storage	SD card slot up to 256 GB
	Cable Interface	Pig Tail
	Max. User	10
	Client Application	EyeGuard
	Web Language	11
	<b>SMART</b>	Behaviour Detection
Intelligent Identification		Loitering
Statistical Analysis		Face Detection, People Counting, Human & Vehicle Detection, Wrong Way Detection
<b>GENERAL</b>	Power Supply	DC 12V, PoE
	Max. Power Consumption	2.5 W
	Working Temperature	-30 ~ 55°C
	Working Humidity	≤95%RH
	Housing	Metal + Plastic
	Reset Button	Supported
	Dimensions	Lens Part: 26.0 x 22 x 22 mm Camera Part: 86.0 x 75.1 x 33.5 mm
	Cable Length	2m (Expandable with Extra 4m Using Ethernet Cables)
Weight	0.22Kg	

Dimension Unit : mm



## ORDERING INFORMATION

Part Number	Description	Standard Quantity
ENC-HMP5F-00R-51	2MP H.265 IP Pinhole Camera with 3.7mm Fixed Lens, WDR, PoE, SD Card Slot and Smart Analytics	1

## PACKING INFORMATION

Part Number	Packing Mode	Gross weight(Kg)	Dimension(mm)
ENC-HMP5F-00R-51	-	-	-

★Product specification and availability are subject to change without notice.