

NVS-UC600037CB



4K All in One Conference System

USB Conference Device



DESCRIPTION

The NVS-UC600037CB is an All in one 4K conference system with 12x optical zoom PTZ Camera & Speakerphones. The camera features 1/2.8 inch, 8.29 megapixel high quality CMOS sensor, supporting a resolution up to 4K. It has a built-in 360° omni-directional speaker with a pick-up radius of 6m (20ft). The camera and speakerphone both connect with a hub via DP port, and the hub connects to PC via USB port.

FEATURES

- ◉ Easy plug-and-play solution that does not require any software or driver to setup
- ◉ Compatible Skype for Business, MS Teams, Zoom, VooV Meeting, Cisco Webex and other conferencing software
- ◉ PTZ camera with 1/2.8 inch 8.29 Mega Pixel high quality CMOS sensor supporting a resolution up to 4K
- ◉ Camera supports up to a 12x optical zoom powerful algorithm and allows camera lens to have fast, accurate and stable auto-focusing
- ◉ Low noise CMOS effectively reduces video noise and ensures image sharpness
- ◉ Speakerphone equipped with intelligent environmental noise-reduction, echo cancellation technology and smart voice enhancement
- ◉ With Intelligent voice recognition in speakerphone, the LED indicator light can clearly recognize the direction of speaker
- ◉ Integrated bluetooth connectivity on speakerphone allows connect the mobile phone for hands-free-calls

Specifications

Model	NVS-UC600037CB
4K PTZ camera	
Optical Zoom	12x Zoom
Image Sensor	1/2.8 inch high quality HD Sony CMOS sensor
Effective Pixels	8.29 Mega pixel
Optical Lens	f=3.9mm ~ 46.8mm

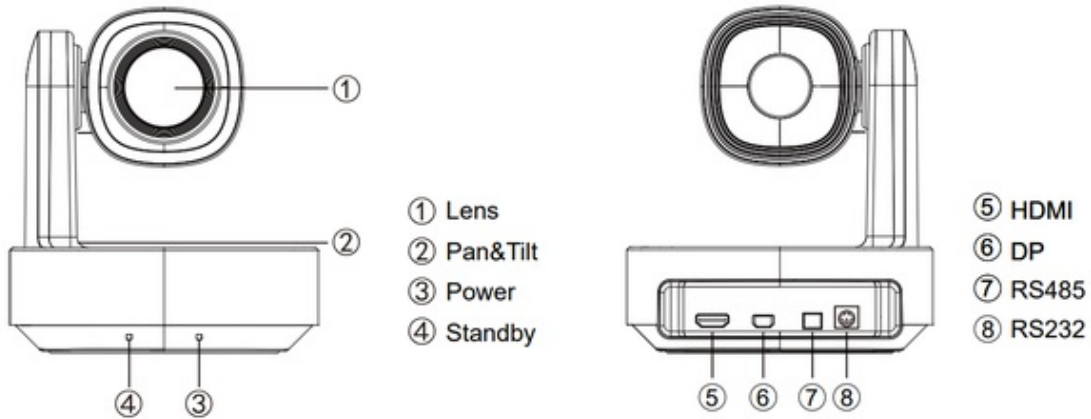
4K All in One Conference System

Aperture value	F1.6 – F2.8
Video Format	4K @ 30 fps, 1080P @ 60/50/30/25 fps, 720P @ 60/50/30/25 fps
	H.264, H.265, MJPG, YUY2, NV12
Horizontal Angle	70.82° (W) - 6.48° (T)
Focus	Auto/Manual
Digital Noise Reduction (DNR)	2D & 3D Noise Reduction
Exposure	Auto/Manual
Video Interfaces	HDMI, DP
Video Compression Format	H.264, H.265, MJPG, YUY2, NV12
Control Protocol	VISCA/Pelco-D/Pelco-P
Baud Rate	9600/4800/38400/2400
Control Interface	RS232 (input only), RS485, UVC1.1
Rotation angle	Pan: ±175°, Tilt:-90°~+90°
Control speed	Pan: 0.1 -80°/sec, Tilt:0.1 -60°/sec
Preset Number	255 presets by Pelco-D,32 presets by Pelco-P, 7 presets by Visca (10 presets by remote controller)
Video Adjustment	Brightness, Colour, Saturation, Contrast, Sharpness, B/W mode, Gamma curve
Dimensions (L×W×H)	171.6×171.6×192.6 mm
Speakerphone	
Acoustic Echo cancellation (AEC)	>65dB
Speaker Power	4Ω 5W
SPL	120dB
Frequency Response	135Hz-20KHz
Pick-up Range	6m (20ft) Radius
Microphone Sensitivity	-27dBFS
Signal to Noise ratio	62dB
Interface	DP Interface
Dimensions (L×W×H)	∅ 180x37.4 mm
Hub	
Interface	DPx2; Power interfacex1; USB Type-Cx1
Power Supply	DC 12V
Dimensions (L×W×H)	98x98x20 mm
General Parameters	
Operating System	Windows 7 or higher, Android, Mac OS 10.10 or higher, Linux (Required to support UVC)
Supported Applications	Zoom, MS Teams, Skype, etc.
Input Voltage	DC 12V
Input Current	2.0A Max
Working Temperature	-10°C ~ +50°C (14°F ~ 122°F)
Working Humidity	20% ~ 80%
Storage Temperature	-10°C ~ +60°C (14°F ~ 140°F)
Storage Humidity	20% ~ 90%
Net Weight	2.85 Kg
Gross Weight	4.5 Kg

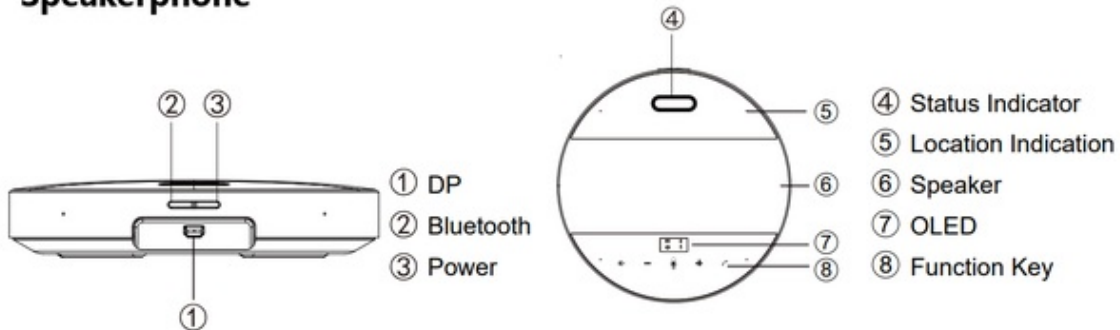
4K All in One Conference System

FRONT PANEL

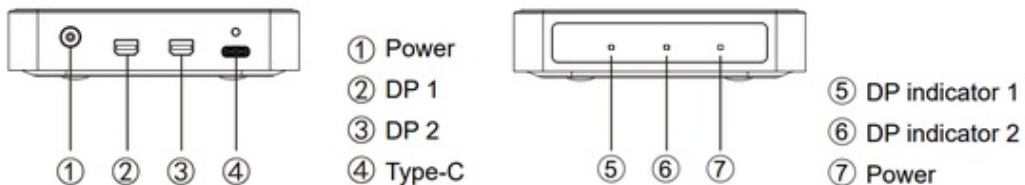
HD PTZ camera



Speakerphone

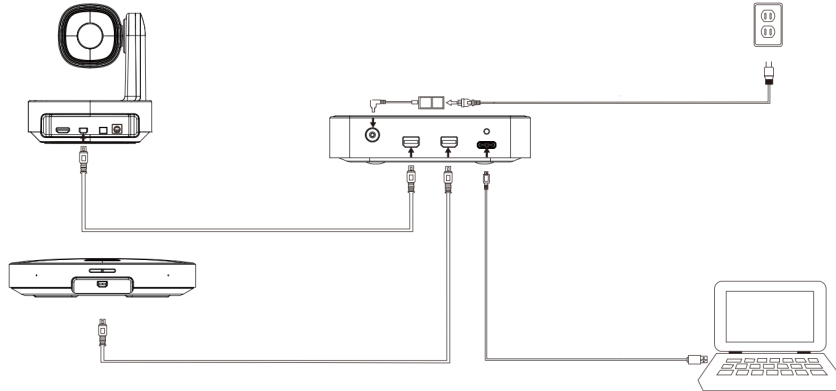


Hub



4K All in One Conference System

CONNECTION DIAGRAM



ORDERING INFORMATION

Part Number	Description	Standard Quantity
NVS-UC600037CB	4K All in One Conference System	01

ACCESSORIES INFORMATION

Description	Standard Quantity
Remote Control	01
5m DP Cable	02
3m USB Cable	01
DC 12V Power Adapter	01
Wall Mount Bracket	01
User Manual	01