

IP PoE Horn Speaker



DESCRIPTION

The NVS-IP100043SP is a SIP compliant IP based horn speaker powered from POE. It comes with a waterproof microphone with dynamic volume adjustment and supports common network protocols for easy integration with SIP- compatible VOIP system. It is an ideal choice for industrial plant, prisons, parks, new rural areas and other public address areas that require simple wiring.

FEATURES

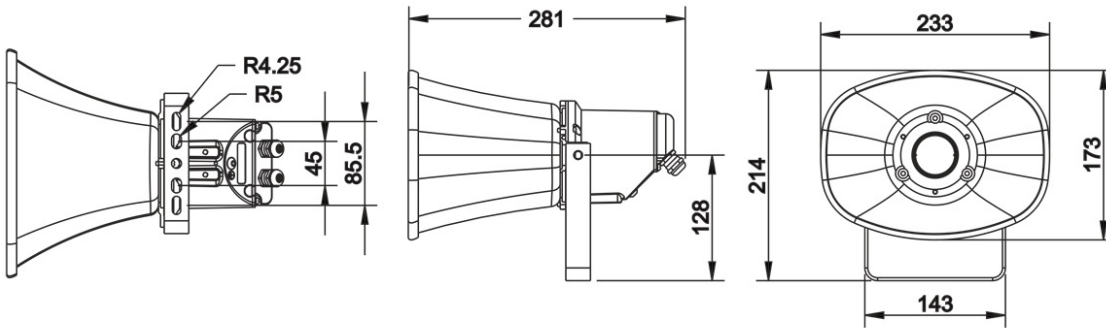
- ◉ Support SIP Protocol
- ◉ Supports both POE and POE+
- ◉ IP66 Protection
- ◉ Waterproof microphone with dynamic volume adjustment
- ◉ Allows self-check operations

Specifications	
Model	NVS-IP100043SP
Rated Output Power	10W(Max:12W)
Sensitivity(1W/1m)	109dB±3dB
Maximum SPL	120dB
Frequency Response	280Hz~12.5kHz
Signal-to-Noise Ratio	≥85dB
Audio Compression	G.711A-law, G.711μ-law, G.722
Network Protocol	SIP, ONVIF, HTTP, UDP, ARP, ICMP, IGMP
Power Supply	10W (at DC 24V/1A powered), 10W (at PoE powered), 10W (at PoE+ powered)
Audio Sampling & Bit Rate	8kHz~44.1Hz, 16 BIT, 8kbps~320kbps
Ingress Protection Grade	IP66
Housing Material	Aluminum Alloy
Bracket Material	Stainless Steel
Operating Temperature	-40°C~+70°C
Operating Humidity	≤90% RH non-condensing
Weight	1.6KG

IP PoE Horn Speaker

Dimensions | 233x173x214mm

DIMENSION



ORDERING INFORMATION

Part Number	Description	Standard Quantity
NVS-IP100043SP	IP PoE Horn Speaker	01

ACCESSORIES INFORMATION

Description	Standard Quantity
2-Pin Pluggable Terminal Block Connector	01
4-Pin Pluggable Terminal Block Connector	01
6-Pin Pluggable Terminal Block Connector	01
Warranty Card	01
Certificate	01
User Manual	01