

Table Embedded Delegate Voting Unit



Conference System

DESCRIPTION

The NVS-DC600146VU Embedded Delegate Voting Unit is a sophisticated conference system voting unit. It features sensitive buttons for easy operation and an elegant, space-saving design. Notably, it offers robust anti-interference capabilities. Additionally, it seamlessly integrates with the NVS-DC600013CH series of conference systems, creating a comprehensive solution for high-quality conference setups.

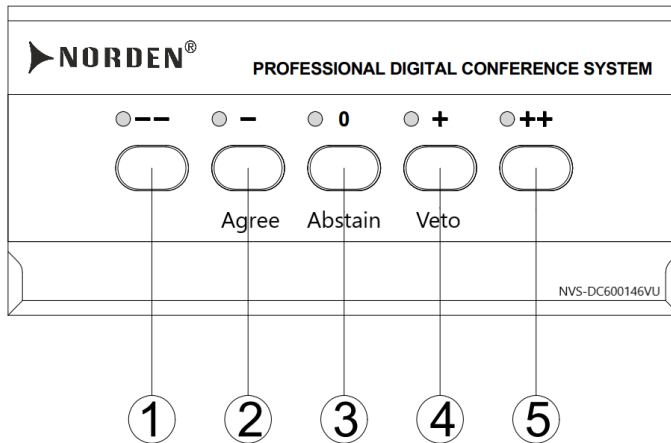
FEATURES

- ⦿ An entirely voting conference unit
- ⦿ Elegant and space-saving embedded design
- ⦿ With super strong anti-interference capability.
- ⦿ Having sign-in function button
- ⦿ The chairman unit has the priority functions to start and halt voting through the host settings.
- ⦿ The system host powers the unit, which has a 24V input voltage and is a passive device.
- ⦿ Support cascaded linkage, T shape linkage or + shape linkage
- ⦿ Connect with microphone units via NVS-DC600157JB

Specifications	
Model	NVS-DC600146VU
Stand-by Power Consumption	<1W
Max Power Consumption	2W
Interface Type	8-pin DIN
Power Supply	DC 24V
Dimensions	130x45mm
Net Weight	0.55kg

Table Embedded Delegate Voting Unit

FRONT PANEL



- 1. "--" Button
- 2. "-" Button
- 3. "0" Button
- 4. "+" Button
- 5. "+ +" Button

REAR PANEL

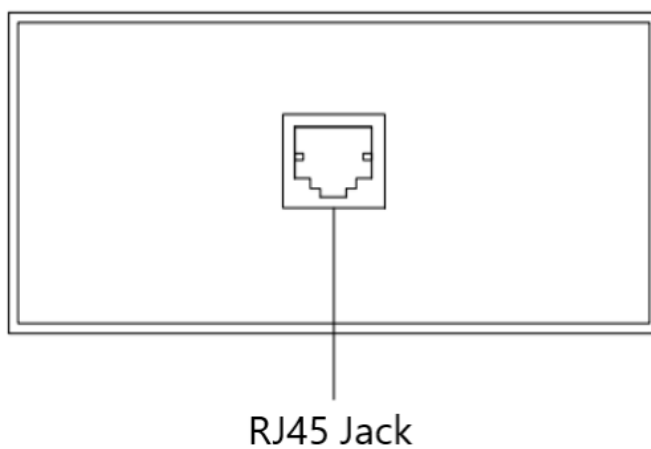
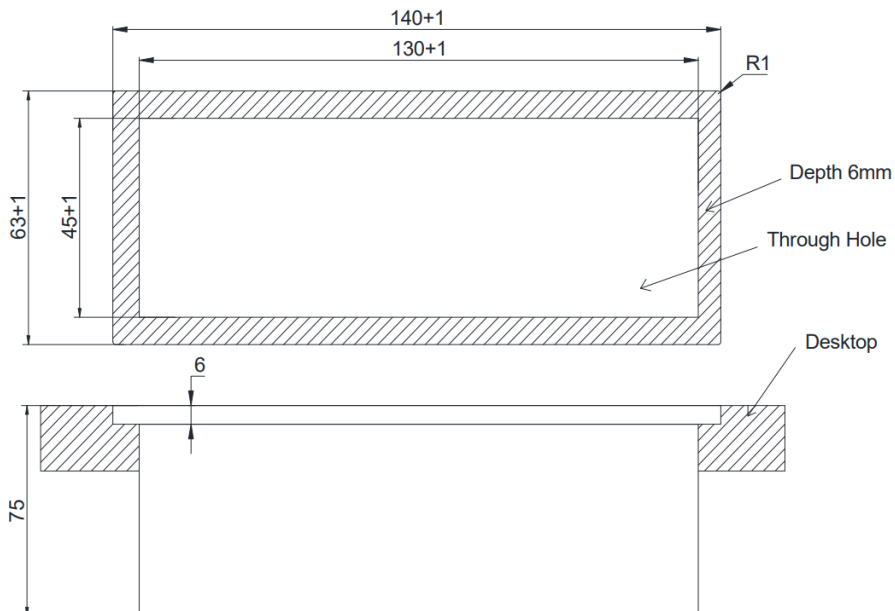


Table Embedded Delegate Voting Unit

DIMENSION



NVS-DC600146VU Mounting Hole Size Drawing

ORDERING INFORMATION

Part Number	Description	Standard Quantity
NVS-DC600146VU	Table Embedded Delegate Voting Unit	1

ACCESSORIES INFORMATION

Description	Standard Quantity
8-pin Network Cable	1
Chassis Accessory	4
Butterfly-shaped Screw	8
Cross Recessed Half-round Head Screw Bright Black	8
User Manual	1