

**NVS-10150010CS**  
**6.5" Narrow Edge Coaxial Ceiling Speaker 10W**  
**User Manual**

Thank you for using our public address system. Please read this User Manual carefully to make better use of this equipment



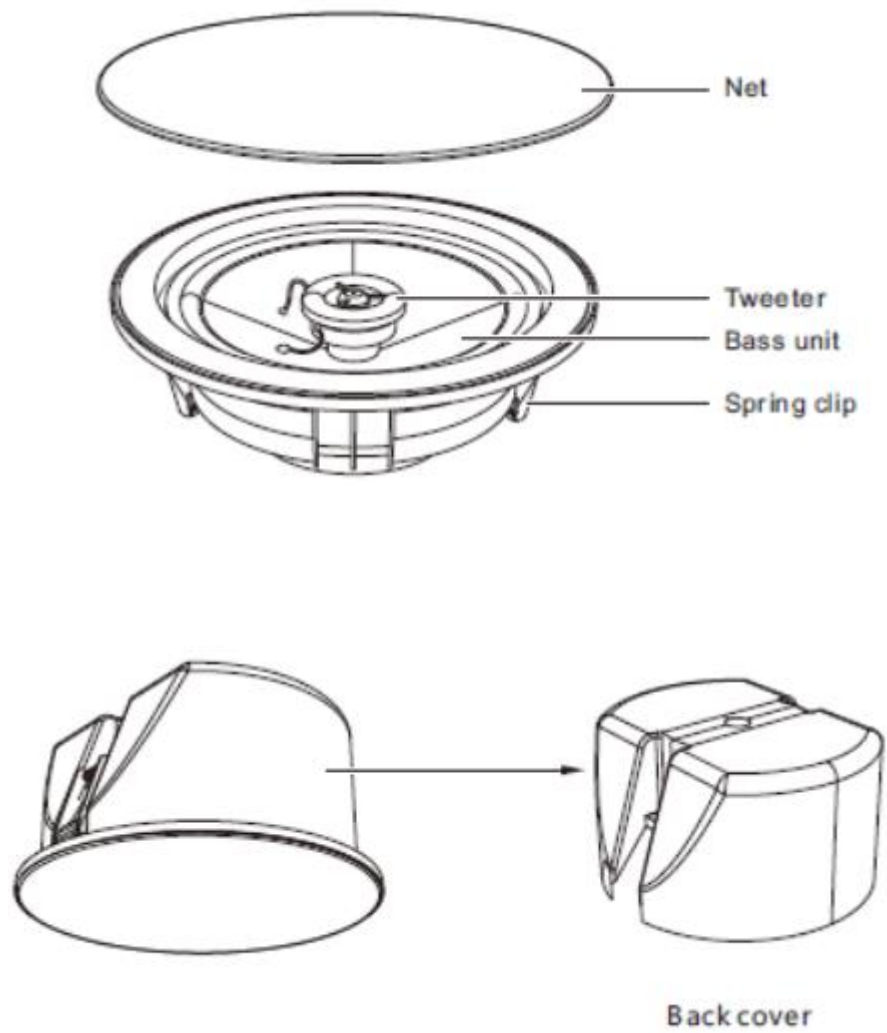
## Product Overview

The NVS-10150010CS is a narrow edge coaxial Ceiling Speaker. It is a coaxial two frequency ceiling type speaker, with a wide range of sound diffusion and large output power. They are widely used in places such as schools, gymnasiums, square halls, parks, parking lots, railway stations, airports, villa communities, mall supermarkets and so on.

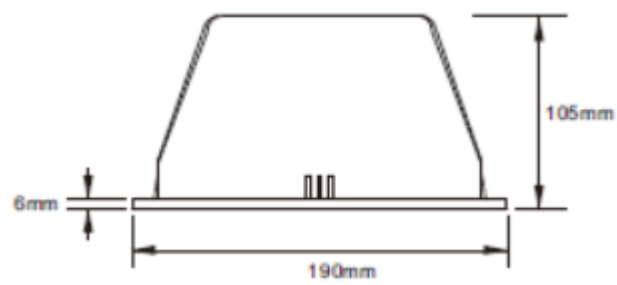
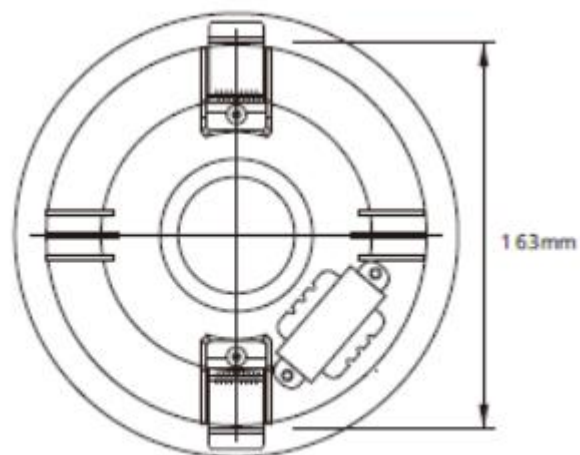
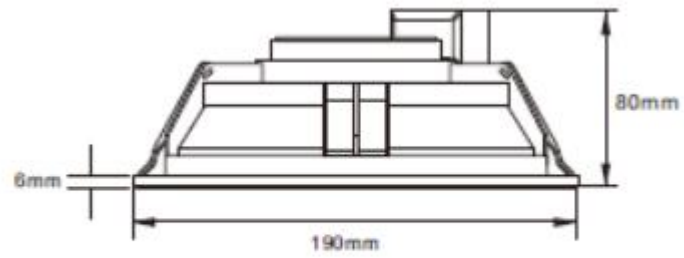
## Product Features

- Powerful clip design
- Durable and reliable
- Easy to install
- Adopts the fashionable thin-edge planer and the carbon alloy aluminium mesh design with the RAL white coating to integrate with any indoor place perfectly.
- Equipped with a 6.5" bass unit with magnetic circuit encapsulated with special engineering plastic process, and the drum paper formed with tripping and hot pressing of algae salved organisms, for the purpose of super-strong reproduction of voice and music.
- Concentric 0.75" tweeter, provide clear treble, the diffraction of a high profile provides a broad, uniform coverage.
- It is in conformity with the IEC 268-5 power handling capacity (PHC) standard, and able to operate continuously for 100 hours and carry out simulating acoustic feedback exposure (SAFE) test.
- It is able to bear the double rated powers within a short period, so as to ensure the high reliability of the loudspeaker under extreme conditions, prolong the service life, and reduce the possibility of occurrence of fault or degradation of performance to a great extent.

## Structure



## Dimension



## Installation

1. Please mark the size of the ceiling mounting hole with a circular template attached to the product and cut a hole in the ceiling (Figure 1, the diameter of the hole is in the range of 168~172mm).

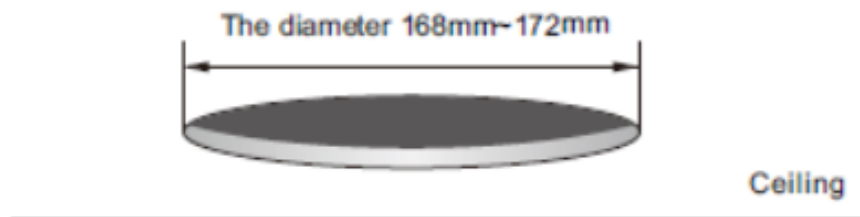
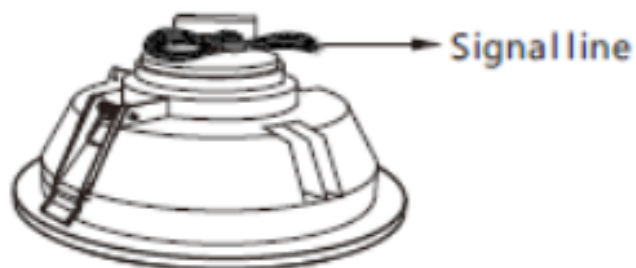


Figure 1

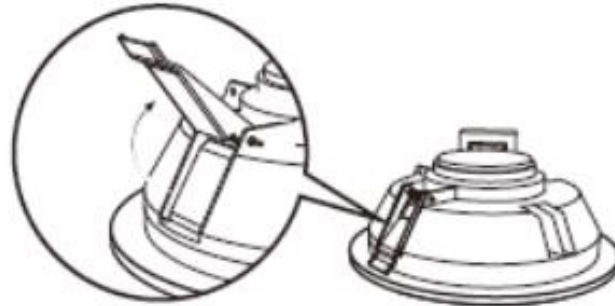
2. Connect audio broadcasting wire to the terminals according to the table below.



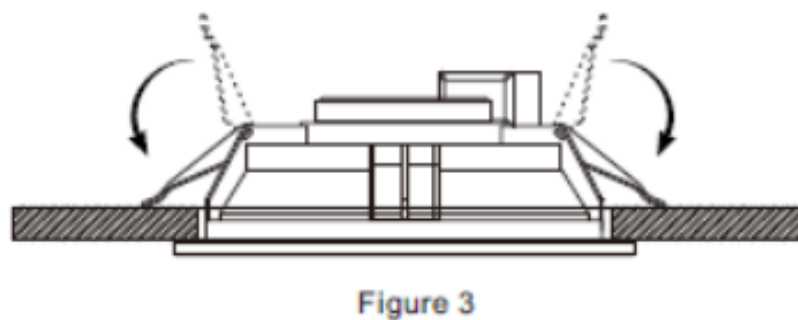
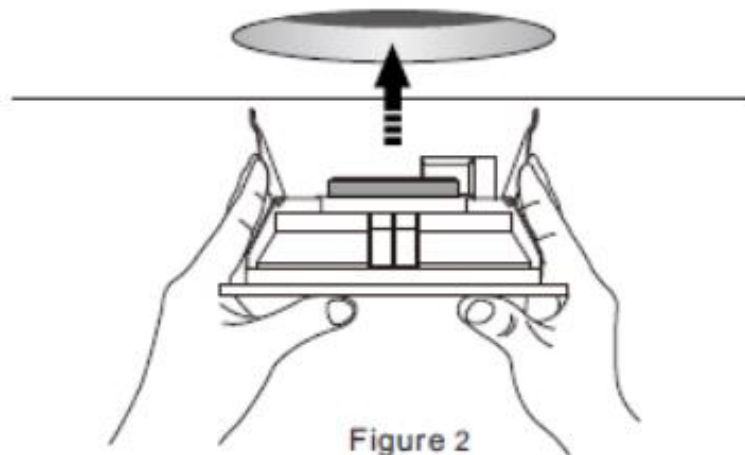
Power	Terminals	100V
Voltage		
	Black-Yellow	3W
	Black-Blue	6W
	Black-White	10W

Note: Black is the common end.

3. Push the spring clips on both sides of the loudspeaker up and maintain this state (Putting on your gloves for safety is recommended).



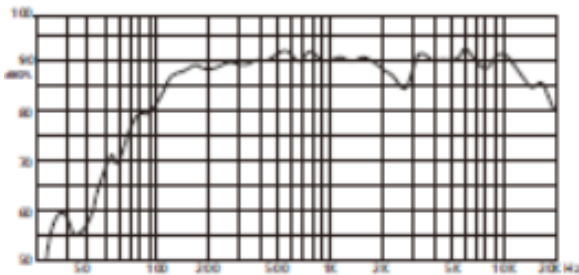
4. Carefully push the sound box into the mounting hole, then slowly loosen the spring clip, nudging the speaker making it embedded ceilings.



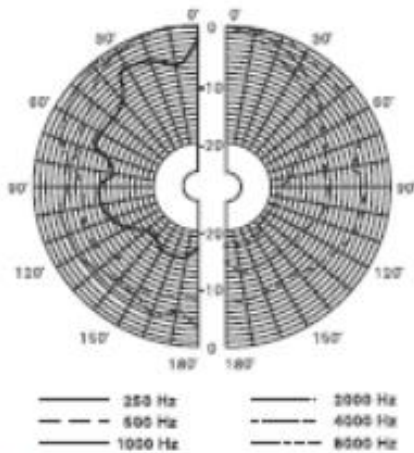
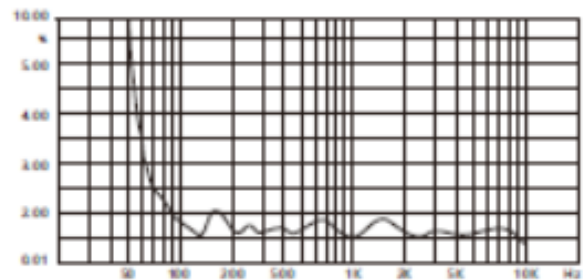
5. Finally, examine whether it is steady.

# Technical Parameters

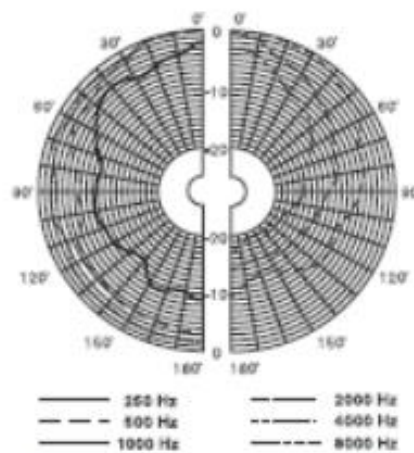
**Frequency response characteristics**  
(dB SPL, 1W, 1m)



**Distortion characteristic**  
(THD < 5% 1W, 1m, 100Hz-10kHz)



**Vertical directivity pattern**



**Horizontal directivity pattern**



## Specifications

1	Driver unit	6.5"×1
2	Rated power (RMS)	10W
3	Rated Voltage	100V
4	Sensitivity (1m, 1W)	93±2dB
5	Maximum SPL(1m)	103±2dB
6	Frequency response	90Hz-18KHz
7	Dimension	Φ190×80mm
8	Weight	1 Kg



**Norden Communication UK Ltd.**

Unit 13 Baker Close, Oakwood Business park, Clacton-On-Sea,  
Essex CO15 4BD, United Kingdom  
Tel +44 (0) 1255 474063 | E-mail: [support@norden.co.uk](mailto:support@norden.co.uk)