

**ABS WALL MOUNT SPEAKER 6W**  
**NVS-10640006WS**  
**User manual**

## CONTENT

Preface.....	2
Product Introduction.....	2
Features.....	2
Material.....	2
Information.....	2
Connection and Installation .....	3
Specification System.....	4
Packing List.....	4

## PREFACE

Thanks for using our speaker products. All our products are tested strictly before leaving the factory, with guaranteed quality.

Our speakers are widely used in such places as schools, gymnasiums, square halls, parks, parking lots, railway stations, airports, villa communities and mall supermarkets, etc., and they will be your ideal choice for public address system.

For better installation, commissioning and use of the product, please read this manual in detail before installation.

## PRODUCT INTRODUCTION

### Features

- Clear and bright sound
- Designed specially for cost-sensitive applications
- Streamlined appearance and integrated design allow it match with different decoration style
- Small volume with built-in audio transformer
- Used to play music and broadcast

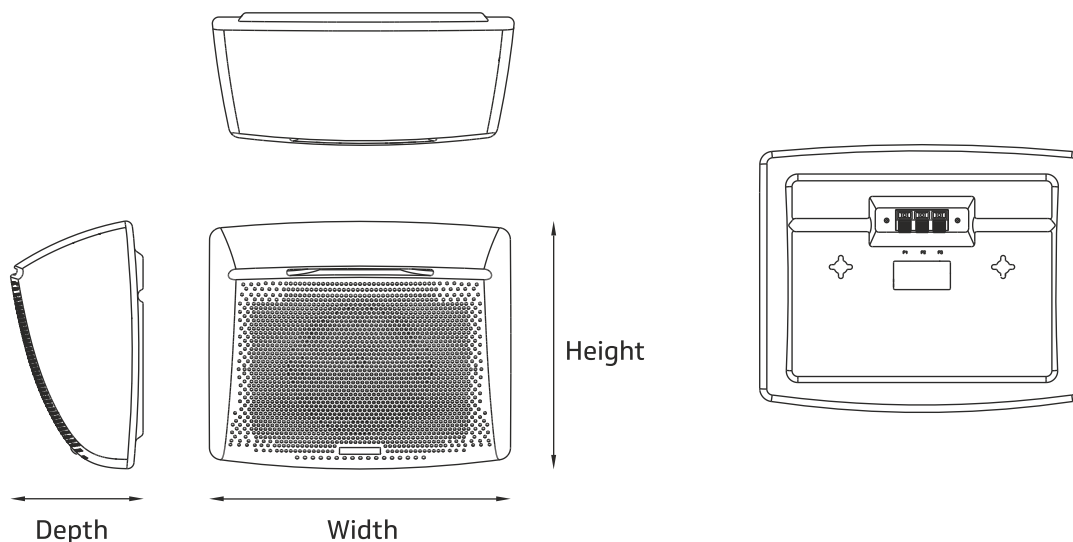
### Material

**Box** : High-quality ABS environmental-friendly material, safe and durable.

**Speaker Unit** : 4.5"full frequency speaker.

**Transformer** : E-type pure copper wire transformer to ensure high fidelity.

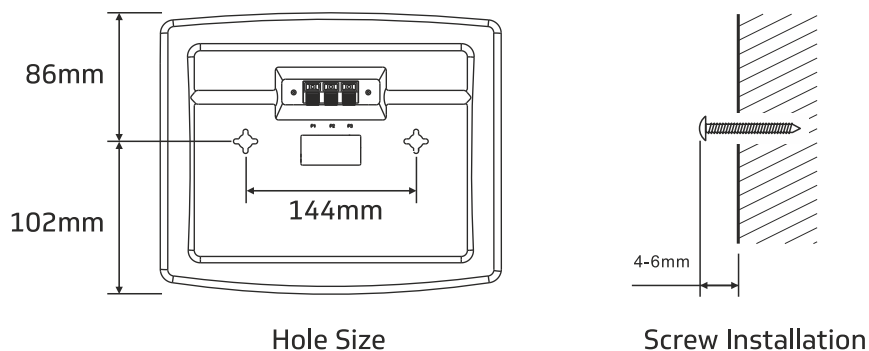
### Information



Model	H	W	D
NVS-10640006WS	188	228	101

## CONNECTION AND INSTALLATION

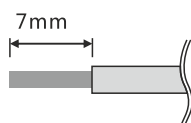
Recommended speaker mounting position: 1.8 to 2 meters height from the ground and within 5 meters space between multiple speakers for the best playback effect.



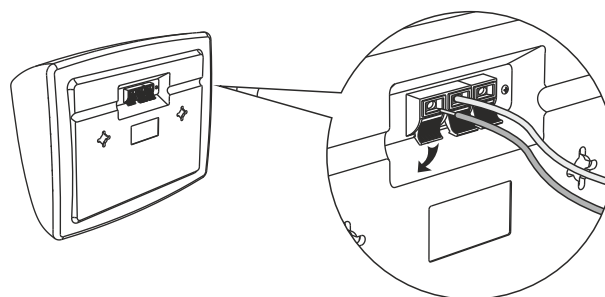
Please refer to the hanging hole size diagram above, and then select the appropriate location on the wall where the speaker needs to be installed.

Install two screws with a diameter of 3mm (the spacing of two screws is required to match the spacing of the hanging holes), please note that pins should keep 4-6mm interval with the wall.

Peel the insulating layer as shown in the following figure, and then connect the audio cable



Connect the speaker to the audio cable (see wiring diagram)



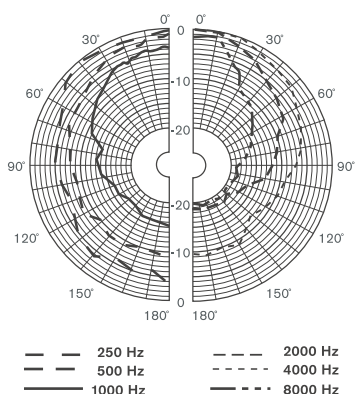
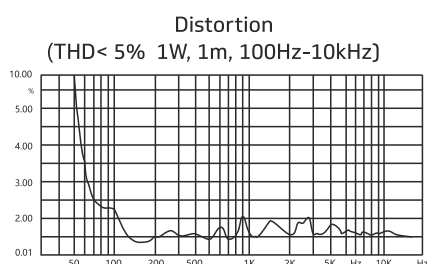
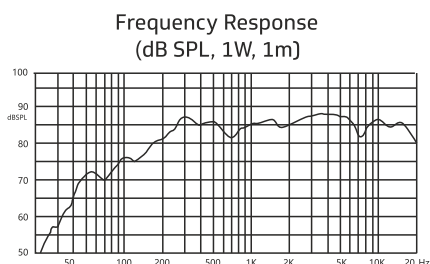
Power \ Voltage	70V	100V
Terminal		
P1-P2	3W	6W
P1-P3	6W	×

**Note:** P1 is the public side.

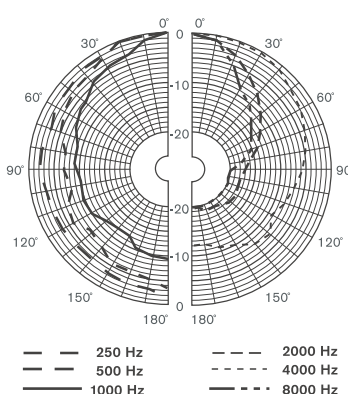
### Audio Terminal

Hang the speakers, adjust the speaker angle, and check whether the installation is robust and reliable.

## SPECIFICATION



**Vertical directivity pattern**



**Horizontal directivity pattern**

<b>Model</b>	<b>NVS-10640006WS</b>
Speaker Unit	4.5"×1
Working Voltage	70/100V
RMS	6W
Frequency Range	180Hz~15kHz
Sensitivity (1m,1W)	90dB±2dB
Max SPL (1m)	100dB±2dB
Size (H×W×D)	188×228×101mm
Net Weight	0.8kg

## PACKING LIST

List	Quantity
Wall mount speaker.....	1
User Manual.....	1

## SAFETY PRECAUTIONS

**Warning:** In order to reduce the risks in electric shock or damage to equipment, please conform to the following requirements:

- Do not insert the power plug of the device into the power grid without connecting the system line.
- Ensure the device input voltage is completely consistent with the required voltage of the equipment; otherwise there is risk of burning equipment.
- There is high pressure within the machine! Do not open the case without authorization to avoid the risk of electric shock!
- When the power switch of the equipment is in the "off" state, machine does not appear to be completely disconnected with power grid, for safety reasons, please pull the power line plug out of the socket when you do not use the equipment.
- Please do not place the device in an undercooling or overheated place.
- Ensure good ventilation of the working environment of the equipment, so as not to damage the machine due to poor heat dissipation at work.
- Unplug the power plug to prevent electric leakage in the wet weather.
- Be sure to unplug the power plug before taking down or reinstalling any parts of the device, disconnecting or re-connecting any electrical plug of the equipment or other connection to ensure that the device is completely separated from the power grid.
- When the equipment is in trouble, the non-professional person is prohibited to open the equipment for repair without permission to avoid accidents or increase the damage degree to the equipment.
- Do not place any corrosive chemicals in the vicinity of the equipment.



**Norden Communication UK Ltd.**

Unit 13 Baker Close, Oakwood Business park, Clacton-On-Sea,  
Essex CO15 4BD, United Kingdom  
Tel +44 (0) 1255 474063 | E-mail: [support@norden.co.uk](mailto:support@norden.co.uk)