

**NVS-10650010WS**  
**ABS Wall Mount Speaker 10W**  
**User Manual**

Thank you for using our public address system. Please read this User Manual carefully to make better use of this equipment



## Contents

Profile of Product.....	3
• Description.....	3
• Features.....	3
• Material Characteristics.....	3
• Dimension and Appearance.....	4
Connection and Installation.....	5
Technical Parameters.....	6
Specifications.....	7

## Profile of Product

### Description

The NVS-10650010WS is a wall mount speaker with an inbuilt transformer of 70V/100V. This 70V/100V transmission ensures high-voltage and low-current mode, this will help to transmit the audio signal to longer distance and parallel connection of multiple loudspeakers. It is an ideal choice for public broadcasting purpose at schools, malls, office, train stations, airport etc. This unit made of high-quality ABS eco-friendly material, and it is safe and durable.

### Features

- Clear and bright sound
- Designed especially for cost-sensitive applications
- Streamlined appearance and integrated design allow it match with different decoration style
- Small volume with built-in audio transformer
- Used to play music and broadcast

### Material Characteristics

#### **Box**

High-quality ABS environmental-friendly material, safe and durable.

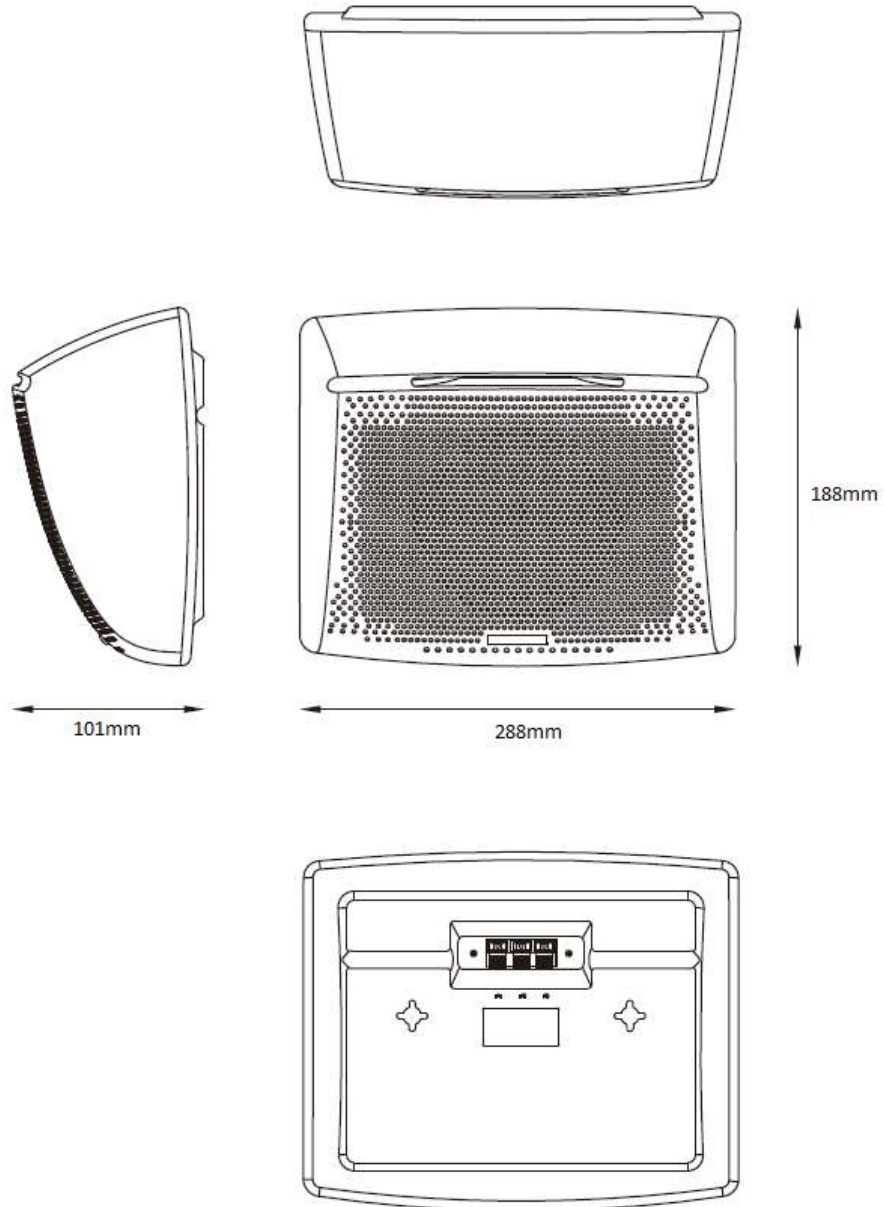
#### **Speaker Unit**

4.5" full frequency speaker.

#### **Transformer**

E-type pure copper wire transformer to ensure high fidelity.

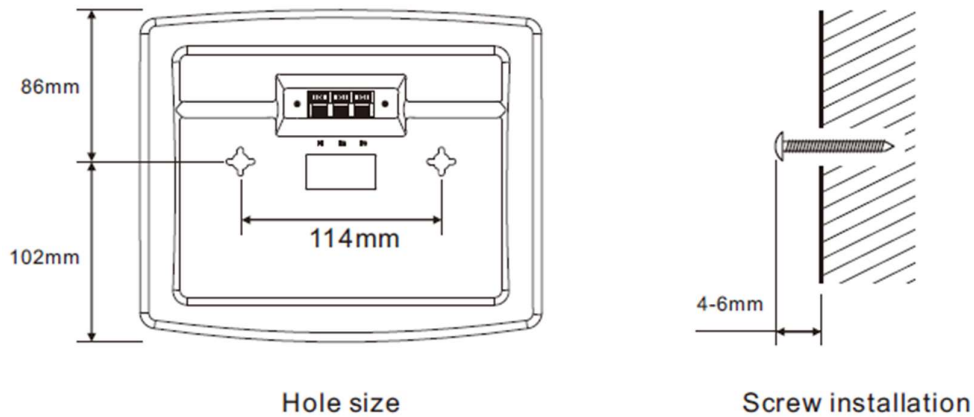
## Dimension and Appearance



# Connection and Installation

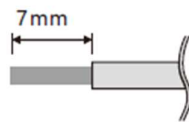
## Recommended speaker mounting position

1. For the optimum playback effect, place speakers between 1.8 and 2 metres above the ground and 5 metres apart.

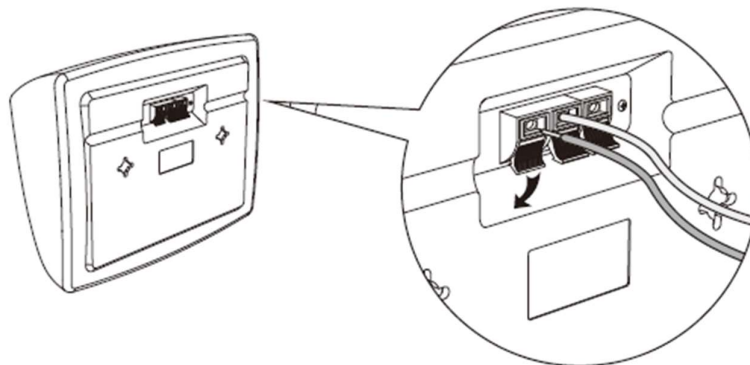


2. Please use the above hanging hole size diagram to help you choose the proper spot on the wall for mounting the speaker. Install two screws with a diameter of 3mm (the spacing of two screws is required to match the spacing of the hanging holes). Please be aware that pins should space themselves out from the wall by 4-6mm.

Peel the insulating layer as shown in the following figure, and then connect the audio cable.



3. Connect the speaker to the audio cable (see wiring diagram).



	<b>Voltage</b>	<b>70V</b>	<b>100V</b>
<b>Power</b>			
<b>Terminal</b>			
P1-P2		3W	6W
P1-P3		6W	10W

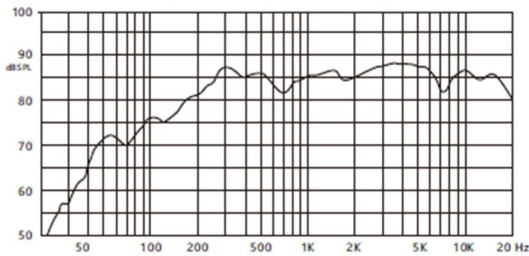
Note: P1 is the public side.

### Audio Terminal

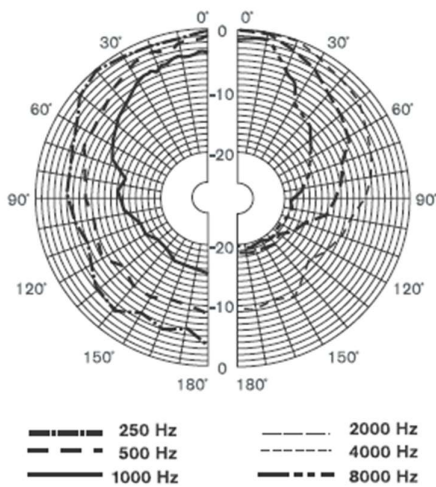
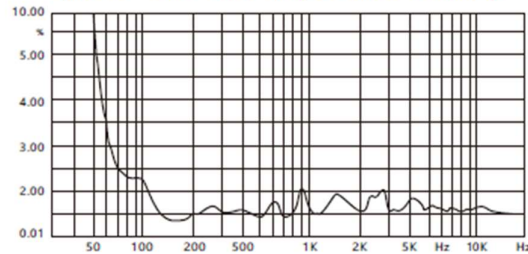
4. Hang the speakers, adjust the speaker angle, and check whether the installation is robust and reliable.

## Technical Parameters

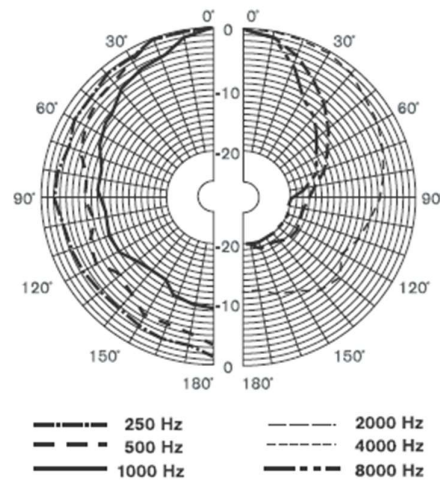
Frequency Response  
(dB SPL, 1W, 1m)



Distortion  
(THD < 5% 1W, 1m, 100Hz-10kHz)



Vertical directivity pattern



Horizontal directivity pattern

## Specifications

Part Number	<b>NVS-10650010WS</b>
Rated Power	10W
Speaker Unit	4.5"×1
Working Voltage	70/100V
Frequency Response	180Hz~15kHz
Sensitivity (1m,1W)	90dB±2dB
Max SPL (1m)	100dB±2dB
Weight	0.8kg
Dimension (H×W×D)	188×228×101mm





**Norden Communication UK Ltd.**

Unit 13 Baker Close, Oakwood Business park, Clacton-On-Sea,  
Essex CO15 4BD, United Kingdom  
Tel +44 (0) 1255 474063 | E-mail: support@norden.co.uk