

**OUTDOOR COLUMN SPEAKER
WITH 2-WAY DRIVER 40W
NVS-10870040BS
User manual**

OUTDOOR COLUMN SPEAKER SYSTEM NVS-10870040BS



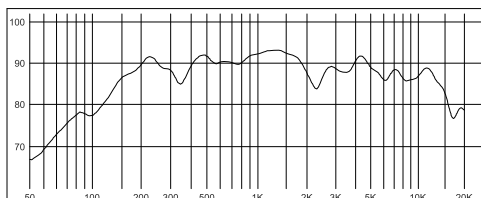
OWNER'S MANUAL

Thanks for purchasing PA speaker system of **NVS** series. All of **NVS** series products have been tested strictly before shipping. **NVS** series PA speaker system is widely used in hotel, trade building, supermarket, school, entertainment, etc. It's the most ideal choice of you! In order to facilitate installing, modulating and running please read this manual carefully before setup.

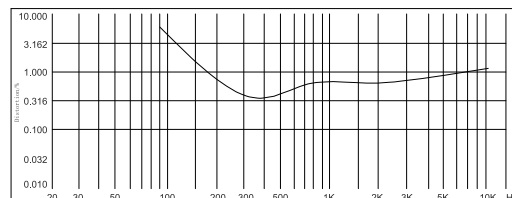
FEATURES

- The products have gotten waterproof certificate and other certificates and are suitable for outdoor use;
- The net cover is made of aluminum and would not rot;
- The speaker units have the features of high sensitivity and high dynamic range. The speaker is the construction of dual-crossover

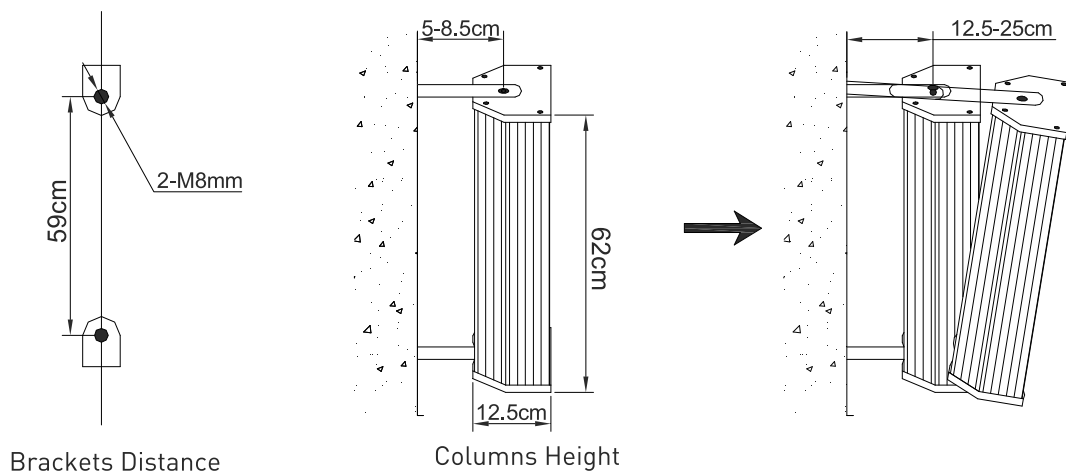
FREQ. RESPONSE
(dB SPL, 1W, 1m)



DISTORTION
(THD < 1.5% 1W, 1m, 200Hz-10kHz))



POSITIONING DIMENSIONS & DIAGRAM



INSTALLATION

1. Fit 2 $\phi 8$ mm screws on the mounting surface and set the speaker system as above;
2. Connect audio broadcasting wire to the terminals according to the table below;

Power Line Voltage	70V	100V
Terminals		
Red - Blue	20W/40W*	40W/80W*
Red - White	40W/80W*	No Use

ATTENTION: “ * ” is the maximum power when the speaker works. The red line must be the common terminal when connecting public address wires.

3. Adjust the direction of the set and examine whether it is steady.

SPECIFICATIONS

Freq.Resp	140Hz-14KHz	Rated Power	40W
Sensitivity	93 \pm 2dB	Dimension(L×W×H)	125×150×620mm
Max SPL	109 \pm 2dB	Weight	5.5kg