

WALL MOUNT SOUND PROJECTION SPEAKER 20W

User manual



PREFACE

Thanks for using our speaker products. All our products are tested strictly before leaving the factory, with guaranteed quality.

Our speakers are widely used in such places as schools, gymnasiums, square halls, parks, parking lots, railway stations, airports, villa communities and mall supermarkets, etc., and they will be your ideal choice for public address system.

For better installation, commissioning and use of the product, please read this manual in detail before installation.

INTRODUCTION

This product is a unidirectional speaker which provide high-quality voice and music reproduction function. With long transmission distance, it is an ideal choice for tunnels, corridor and shopping galleries.

FEATURES

- Suitable for use in public address and background music playing Clear sound enjoyment
- High-quality PP material, moisture proof edge, coaxial woofer with delicate sound
- Compact design, beautiful and durable, blend perfectly into any indoor occasion
- High-strength ABS material, complies with UL 94v-0 standards
- Support wall mount installation, easy to install

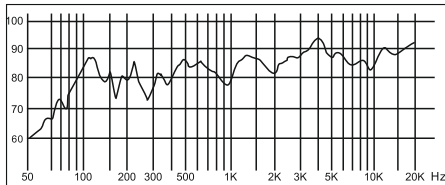
SPECIFICATIONS

Speaker Unit	: 5"×1+0.75"×1 coaxial unit
RMS	: 20W
Working Voltage	: 70V/100V
Sensitivity ((1m,1W)	: 86dB±2dB
Max SPL (1m)	: 98dB±2dB
Frequency Range	: 90Hz~20kHz
Size (H×W×D)	: 138x138×218mm
Weight	: 1.44kg

SPECIFICATION

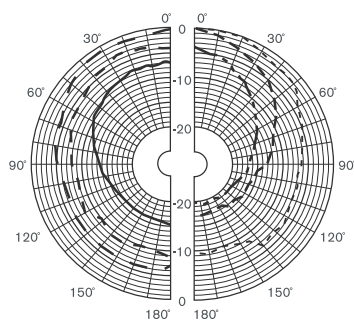
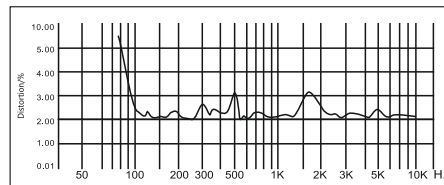
Frequency Response

(dB SPL, 1W, 1m)



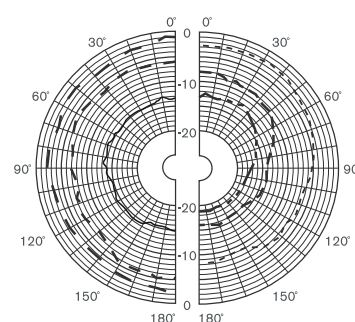
Distortion

(THD < 5% 1W, 1m, 100Hz-10kHz)



— 250 Hz - - - 2000 Hz
 = 500 Hz - - - - 4000 Hz
 — 1000 Hz - - - - - 8000 Hz

Vertical Directivity Pattern

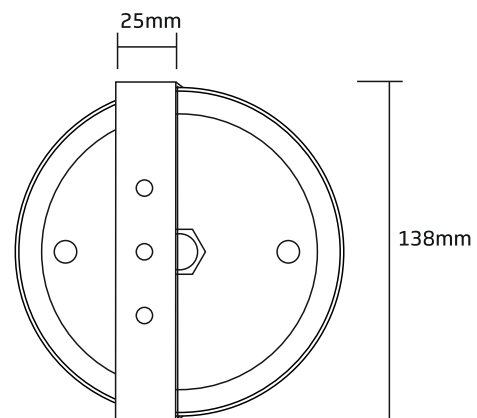
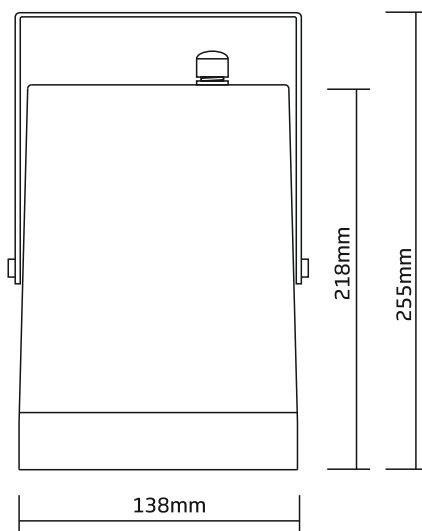


— 250 Hz - - - 2000 Hz
 = 500 Hz - - - - 4000 Hz
 — 1000 Hz - - - - - 8000 Hz

Horizontal Directivity Pattern

Information

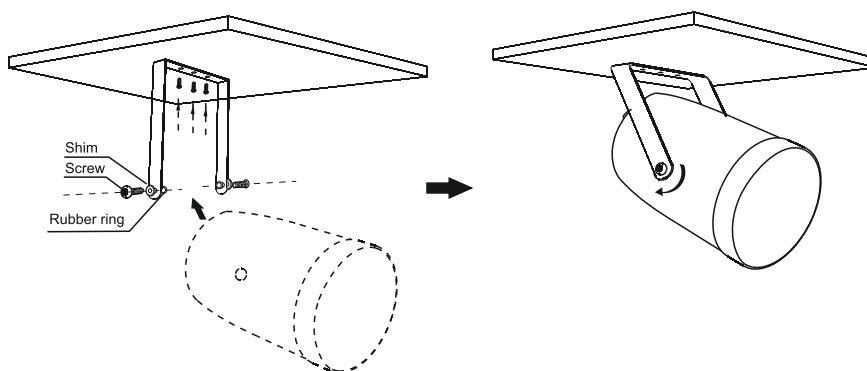
Speaker with bracket



INSTALLATION AND CONNECTION

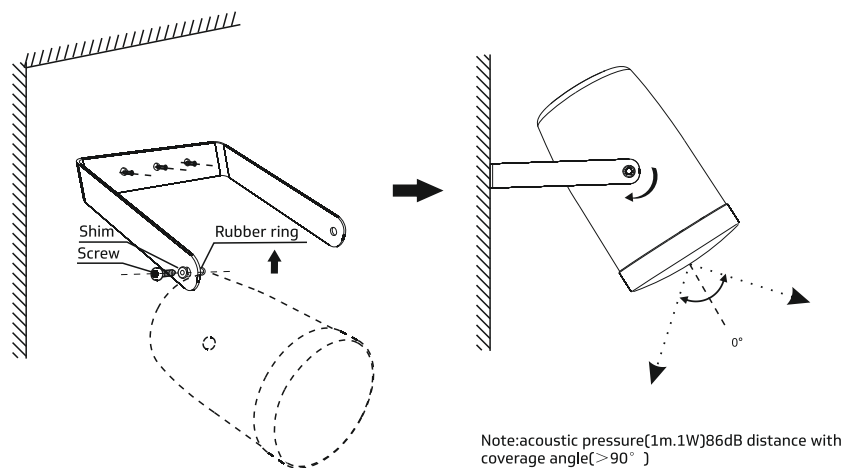
INSTALLATION METHOD ONE

1. Install the hanger on the wall in the right position, and then screw the speaker to the hanger.
2. Adjust the speaker to the appropriate angle (pictured below) and finally check whether the installation is robust and reliable.



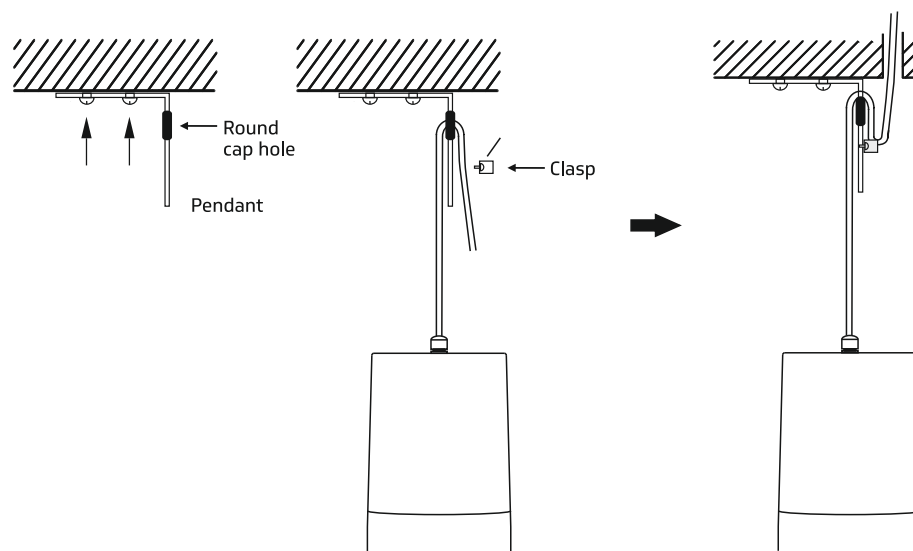
INSTALLATION METHOD TWO

1. Install the hanger on the wall in the right position, and then screw the speaker to the hanger.
2. Adjust the speaker to the appropriate angle (pictured below) and finally check whether the installation is robust and reliable.



INSTALLATION METHOD THREE

1. Install the pendant on the ceiling in the right place, pass the audio line through the round cap hole, and fix the audio line with the pendant by clipping (as shown below).
2. Finally check whether the installation is firm and reliable.



CONNECTION

1. Connect audio cable

Power	Line Voltage	70V	100V
Terminals	Black--White	10W	20W

Note: black line is the public side



Norden Communication UK Ltd.

Unit 13 Baker Close, Oakwood Business park, Clacton-On-Sea,
Essex CO15 4BD, United Kingdom
Tel +44 (0) 1255 474063 | E-mail: support@norden.co.uk