

8CH EMBEDDED NETWORK VIDEO RECORDER



ENR-02008-N-8PK

FEATURES

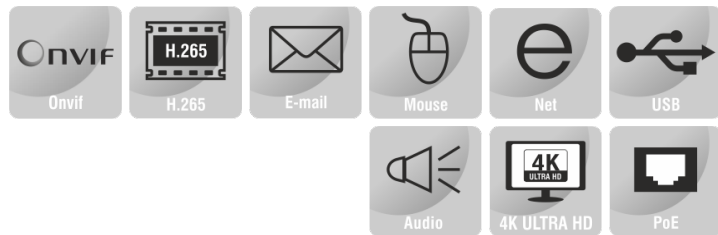
8 Channel Input

Support H.265+, H.265, H.264 Video Formats

2 SATA HDDs

ONVIF Profile (S, G, T)

PoE Support



SPECIFICATION

MODEL	Model No.	ENR-02008-N-8PK
	Type	8CH EMBEDDED NETWORK VIDEO RECORDER
VIDEO & AUDIO	Video Input	8-Ch
	Incoming Bandwidth	320 Mbps
	Outgoing Bandwidth	160 Mbps
	HDMI / VGA Output	HDMI: 3840x2160, 1920x1080, 1280x800, 1280x720, 1024x768 VGA: 1920x1080, 1280x800, 1280x720, 1024x768
	Audio Input / Output	1-Ch Input / 1-Ch Output
	Two-way Audio	Supported
	Screen Split	1/4/6/8
	Video Encryption	Supported
	OSD Type	Title, Week, Date, Time, Text with different colors and adaptable sizes
DECODING	Video Compression	H.265+, H.265, H.264
	Bit Rate Type	CBR, VBR
	Video Bit Rate	32kbps ~ 16 Mbps
	Audio Compression	G.711A/G.711U
	Recording Resolution	12MP/8MP/6MP/5MP/4MP/3MP/1080P/960P/720P/D1/2CIF/CIF
	Recording Mode	Continuous, Manual, Event (Pre/Post, Motion etc.), Schedule, ANR, Record Interval by Time / Size
	Pre/Post Record Time	Supported
	Fisheye Camera	Supported
De-warping	Supported	
MONITORING	Preview Capability	1x12MP/2x4K/5x4MP/8x1080P
	Synchronous Playback	12MP/8MP/6MP/5MP/4MP/3MP/1080p/960p/720p/D1/2CIF/CIF
	Live View Functions	Screen matrix, Stream type, System alarm, Snapshot, Record, Talkback, Volume adjustment, Full screen, Digital zoom
	Playback Functions	Sync playback, Play, Pause, Stop, Fast play, Slow play, Full Screen, Backup selection, Snapshot, Clip management, Screen matrix, Stream type
	Corridor Mode	Supported
	Backup Mode	USB, Network, SATA burner
	Export Picture Format	JPG
	Export Video Format	MP4, SDV, AVI
Download from Edge storage	MP4, SDV, AVI	

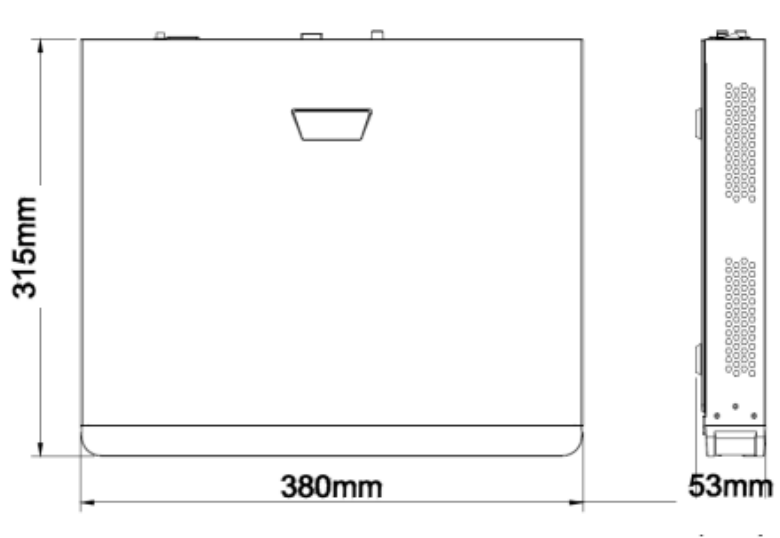
8CH EMBEDDED NETWORK VIDEO RECORDER



ENR-02008-N-8PK

MODEL	Model No.	ENR-02008-N-8PK
	Type	8CH EMBEDDED NETWORK VIDEO RECORDER
INTERFACE	Protocols	TCP/IP, UDP, IPv4, IPv6, HTTP, HTTPS, FTP, DHCP, DNS, DDNS, RTP/RTSP/RTCP, RTMP, NFS, PPPoE, NTP, UPnP, SMTP, IGMP, QoS, Telnet, Multicast, SNMP, ARP, SSL, P2P
	Compatibility	ONVIF Profile (S, G, T), SDK
	Network	1xRJ45 (10/100/1000 Mbps) Self Adaptive Ethernet Port
	Serial Interface	1xRS485
	USB Interface	1xUSB 2.0, 1xUSB 3.0
	Alarm Interface	8 Input & 2 Output
PoE	PoE Interface	8xRJ45 (10/100 Mbps) Self Adaptive Ethernet Port
	Power per PoE Port	30 W
SMART	Alarm Management	Input & Output event, Alarm I/O error, Illegal access, IP Conflict, MAC Conflict, Network Interrupt, PoE overload, Hard disk full, No hard disk, Hard disk R/W error, Hard disk overload, HDD SMART check error, Abnormal recording, Abnormal temperature, Motion detection, Tampering (Masking), Smart detection, Video loss
	Behavior Detection	Intrusion (Perimeter), Crossline (Tripwire)
	Analytics	Abandoned object (Object Left), Missing object (Object Lost), Face Detection (Capture), People Counting, Crowd Detection, Defocus Detection, Scene Change Detection, Entry / Exit Detection, Auto Tracking **Compatible with analytic supported cameras
STORAGE	SATA	2 SATA Interfaces
	Capacity	Up to 10 TB for each HDD
	e-SATA	N/A
	ANR	Supported
GENERAL	Operating System	Embedded Linux
	User Permission	32 with multiple privilege level
	Client Application	Eyenor VMS
	Power	110~240V AC
	Redundant Power	N/A
	Power Consumption (without HDD)	≤15 W
	Working Environment	-10 °C ~ 55 °C
	Humidity	≤90% RH
	Chassis	1U
	Dimension	380x315x53 mm
Net Weight	≤2.6 kg	

Dimension Unit : mm



8CH EMBEDDED NETWORK VIDEO RECORDER



ENR-02008-N-8PK

ORDERING INFORMATION

Part Number	Description	Standard Quantity
ENR-02008-N-8PK	8Ch Embedded Network Video Recorder with 2 HDD Bays Supports 8# PoE Ports, 4K Cameras, HDMI, VGA and ONVIF	1

PACKING INFORMATION

Part Number	Packing Mode	Gross weight(Kg)	Dimension(mm)
ENR-02008-N-8PK	Carton Box	-	-