

2MP H.265 IR IP COMPACT DOME CAMERA



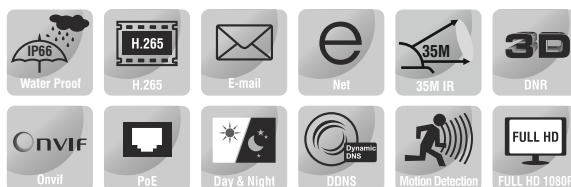
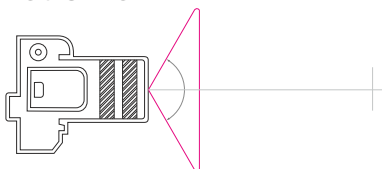
ENC-HCD5V-35R-68

FEATURES

1/2.7" Progressive Scan CMOS
2.8~12mm Manual lens
25fps/30fps@2MP
Smart IR, Upto 35m
2D/3D DNR
Electronic Image Stabilization
Triple Streams
IP66



Field Of View



SPECIFICATION

MODEL	Model No.	ENC-HCD5V-35R-68
CAMERA	Type	2MP H.265 IR IP Compact Dome camera
	Image Sensor	1/2.7", Progressive scan, 2.0 Megapixel, CMOS
	Lens	2.8~12mm motorized lens
	Angle of View(H)	103°~ 34.3°
	Shutter	Auto/Manual, 1/5-1/20000s
	Min. Illumination	Color: 0.01Lux @F1.2 B/W: 0 Lux @(IR LED ON)
	AGC	Auto/Manual
	Day/Night	IR-Cut filter with auto switch (ICR)
	Digital noise reduction	2D/3D DNR
	S/N	>55dB
	IR Range	Up to 35M
	Defog	Digital Defog
	WDR	120dB
	VIDEO	Max. Resolution
Video Compression		H.265+, H.265, H.264, MJPEG
Frame Rate		Main Stream: 1920×1080/1280×720 @25/30fps Sub Stream: D1/VGA/640×360/CIF/QVGA @25/30fps Third Stream: VGA/CIF/QVGA @25/30fps
Streaming Capability		Triple Stream
ROI		Supported
HLC		Supported
Privacy Mask		Supported
SMART	Motion Detection	Supported
	Behaviour Detection	Perimeter, Single Virtual Fences, Double Virtual Fences
	Intelligent Identification	Loiter, Multi Loiter, Missing Object, Abandoned Object
	Statistical Analysis	Abnormal Speed, Converse, Illegal Parking, Signal Bad



2MP H.265 IR IP COMPACT DOME CAMERA

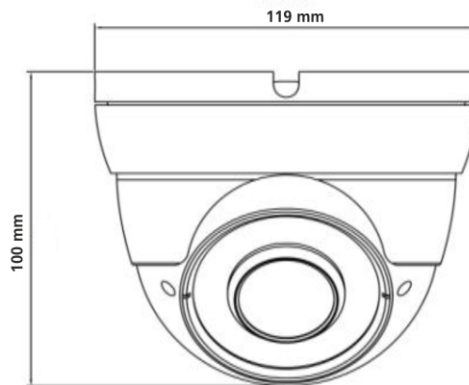


ENC-HCD5V-35R-68

SPECIFICATION

MODEL	Model No.	ENC-HCD5V-35R-68
INTERFACE	Type	2MP H.265 IR IP Compact Dome camera
	Protocols	IPv4, IPv6, 802.1x, HTTP, HTTPS, TCP/IP, UDP/IP, RTSP, DHCP, NTP, RTPC/RTP, PPPoE, SMTP, DNS, UPnP, FTP, ARP, SNMP
	Compatibility	ONVIF (Profile S/G)
	Network	1 Ethernet (10/100 Base-T) RJ-45 Connector
GENERAL	Power	DC 12V/POE
	Power consumption	Max 5.5W
	Working Environment	-30°C ~ 50°C Humidity: ≤90% RH
	Ingress Protection	IP66
	Dimensions	119x119x100mm
Weight	0.7Kg	

Dimension Unit: mm



ORDERING INFORMATION

Part Number	Description	Standard Quantity
ENC-HCD5V-35R-68	2MP H.265 IR IP Compact Dome camera with 2.8 to 12mm Varifocal lens, POE, WDR, Smart analytics and 35M IR Support	1

PACKING INFORMATION

Part Number	Packing Mode	Gross Weight (kg)	Dimension (mm)
ENC-HCD5V-35R-68	Carton Box	0.7	119x119x100

