

2MP IR 4 IN 1 HYBRID COMPACT DOME CAMERA



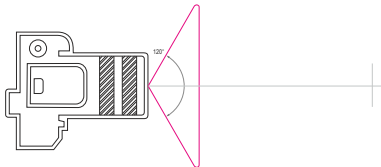
ENC-TCD5V-35R-50

FEATURES

1/2.9" Progressive Scan CMOS
2.8-12mm
Full HD 1080P
Video Transmission 300m
IR Range 35M
3D DNR, dWDR, ICR, BLC, GLOBE, AWB
Privacy Masking, Motion Detection
Support AHD/TVI/CVI/CVBS Output
IP66



Field Of View



SPECIFICATION

MODEL	Model No.	ENC-TCD5V-35R-50
	Type	2MP IR 4 in 1 Hybrid Compact Dome Camera
CAMERA	Image Sensor	1/2.9" Progressive Scan CMOS
	Signal System	PAL/NTSC
	Min. illumination	Color:0.01Lux@(F1.2,AGC ON) ; B/W:0Lux@(IR LED ON)
	S/N Ratio	≥48dB
	Day & Night	ICR
	Shutter Speed	Auto, PAL:1/50-1/10000s, NTSC:1/60-1/10000s
	Wide Dynamic Range	dWDR
	Digital Noise Reduction	3D
	Lens	2.8-12mm Manual
	Iris	Fixed
Angle of view	100°~35°	
IR Range	35M	
OSD Joystick	Supported	
Up the Coax	Supported	
VIDEO	Effective Resolution	1920x1080
	Frame	PAL:25fps, NTSC:30fps
	Video Output	AHD/TVI/CVI/CVBS
	OSD	Supported
	BLC	Supported
	Privacy Masking	Supported
	Motion Detection	Supported
	AGC	Auto
White Balance	Auto/Manual	



2MP IR 4 IN 1 HYBRID COMPACT DOME CAMERA

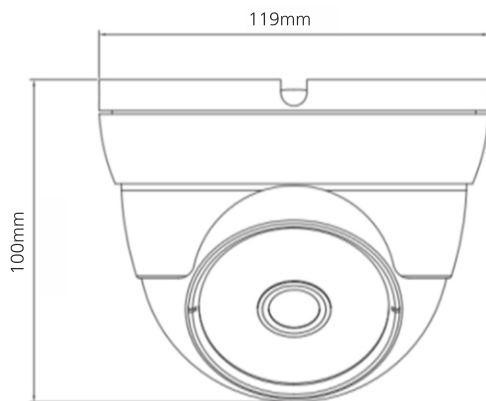


ENC-TCD5V-35R-50

SPECIFICATION

MODEL	
Model No.	ENC-TCD5V-35R-50
Type	2MP IR 4 in 1 Hybrid Compact Dome Camera
Power Supply	DC12V±10%
Power Consumption	4W(Max)
GENERAL	
Operating Temperature	-10°C ~ 55°C
Operating Humidity	0% - 85% RH
Ingress Protection	IP66
Material	Metal
Dimension	119x119x100mm
Weight	0.65Kg

Dimension Unit: mm



Ordering Information

Part Number	Description	Standard Quantity
ENC-TCD5V-35R-50	2MP IR 4 in 1 Hybrid Compact Dome Camera with 2.8 to 12mm Varifocal Lens and 35M IR Support	1

Packing Information

Part Number	Packing Mode	Gross Weight (kg)	Dimension (mm)
ENC-TCD5V-35R-50	Carton Box	0.65	119x119x100

