

PLASTIC WATERPROOF JOINT FOR EYENOR CAMERA



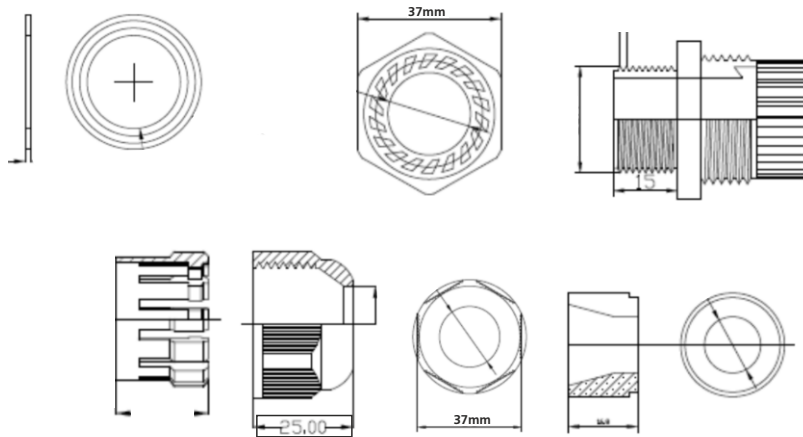
ENH-WJ0000



SPECIFICATION

MODEL	Model No.	ENH-WJ0000
	Type	NPT 3/4" Plastic Waterproof joint for ENH-DJ6600
	Application	Indoor and outdoor
	Dimensions	37x37x46mm
	Weight	0.023kg
	Material	Plastic

Dimension Unit: mm



ORDERING INFORMATION

Part Number	Description	Standard Quantity
ENH-WJ0000	NPT 3/4" Plastic Waterproof joint for ENH-DJ6600	1

PACKING INFORMATION

Part Number	Packing Mode	Gross Weight (kg)	Dimension (mm)
ENH-WJ0000	Carton Box	0.023	37x37x46

