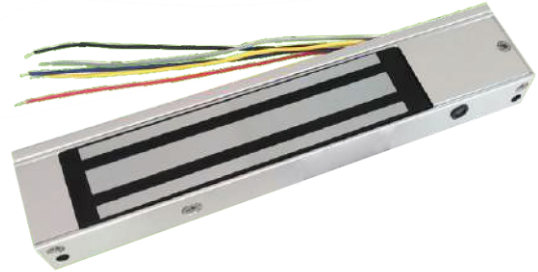


# 180KG Single door EM lock with 5wires

Secnor NAC-6001EM electromagnetic lock with 5 wires has a holding force of 180Kg. It is suitable for wooden door, glass door, metal door, fireproof door etc.

## Application

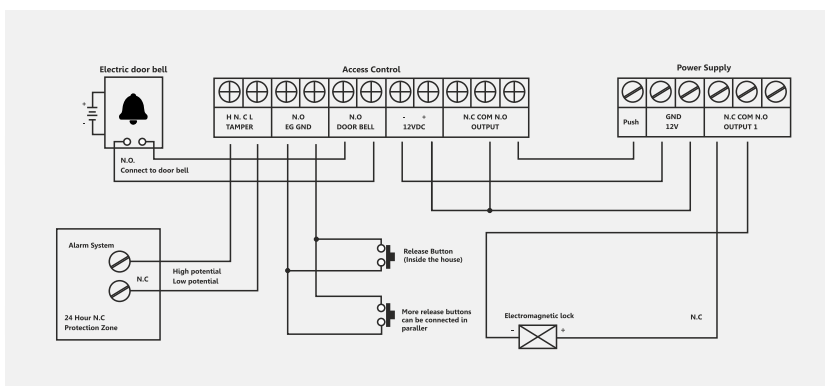
Office areas, schools, communities, office buildings, hotels, shopping malls, shops, public service places, etc.



## Technical Parameters

Lock Size	200 x 41.7 x 21.7 (mm)
Armature plate	130 x 33 x 10.5 (mm)
Holding Force	180KG (350Lbs)
Voltage	DC12V or DC24V (24V need to customize)
Current Draw	12V/280mA 24V/150mA
Signal Output	Pls see EL-350TS
Suitable for	Wooden door, Glass door, Metal door, Fireproof door
Surface Temp	≤20°C
Operating Temp	-10°C ~ 55°C
Suitable Humidity	0~90%(non-condensing)
Finishes for Shell	Anodized aluminum surface texture processing
Finishes for Magnetic	Zinc
Finishes for Armature	Zinc
Weight	1.2kg
Standard Packing	20pcs

## Wiring diagram



## ORDERING INFORMATION

Part Number	Description
NAC-6001EM	180KG Single door EM lock with 5wires