

WALL MOUNT CABINET SINGLE SECTION WITH COMBINATION DIGIT LOCK

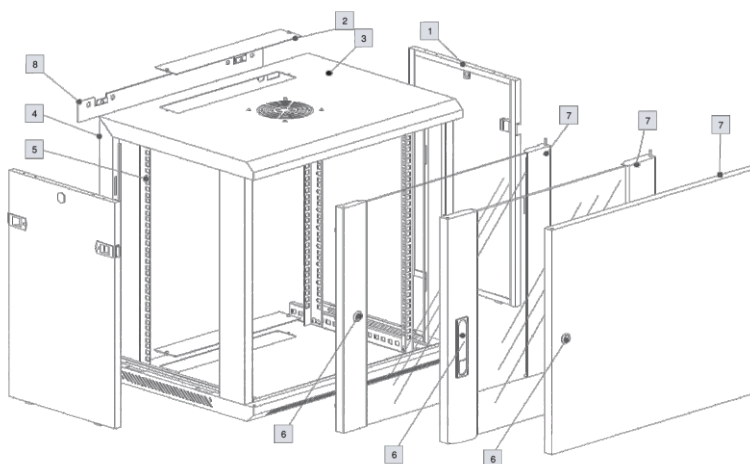


The Easycab range of wall cabinets designed for home/ office environment. The cabinet's structure is welded and painted with electro static powder coated finish. Easycab available in different sizes and combination digit lock system. Comply with ANSI/EIA RS- 310-D, DIN41497 part 1, IEC 297-2, DIN41497 part 7, GB/T3047, 2-92 standards.

FEATURES

- Easy installation
- Standing or wall mounting installation
- Cable entry through bottom and top panel
- 180 degree turning angle for front door
- Removable side panel
- Welded frame
- 19" installation
- 4 Digit Combination Locking System

Material	SPCC cold rolled steel
Degree of protection	IP20
Surface finish	Degreasing, phosphoric, powder coated
Loading capacity	60 KGS



STRUCTURE

1. Side panel
2. Cable entry cover
3. Fan cover
4. Frame
5. Mounting profile
6. Lock
7. Front door
8. Mounting panel

WALL MOUNT CABINET SINGLE SECTION WITH COMBINATION DIGIT LOCK

ACCESSORIES

Accessories	Material Of Construction	Surface Coating & Colour	Quantity
Front glass door	5mm toughened glass door /1.2mm SPCC cold rolled steel	Powder coating	1 piece
Allen wrench	Steel	Black colour	1 piece
Mounting Panel	1.2mm SPCC cold rolled steel	Powder coating	1 piece
Cable entry cover	1.2mm SPCC cold rolled steel	Powder coating	1 piece
Fan cover	1.2mm SPCC cold rolled steel	Powder coating	1 piece
Mounting Profile	1.2mm SPCC cold rolled steel	Powder coating	1 piece
4 Digit Lock	-	-	1 piece
Frame	1.2mm SPCC cold rolled steel	Powder coating	1 piece
M6 Square nut	Steel	Zinc colour	10 piece
M6 head screw	Steel	Zinc colour	10 piece
Side Panel	1.2mm SPCC cold rolled steel	Powder coating	2 piece

ORDERING INFORMATION

Part Number	Description	Capacity (U)	Dimension (mm)
600 x 450 Size			
131D-046410X	04U 600 x 435 Single Section Cabinet with 4 Digit Lock	04	600 x 435 x 279
131D-066410X	06U 600 x 450 Single Section Cabinet with 4 Digit Lock	06	600 x 450 x 368
131D-096410X	09U 600 x 450 Single Section Cabinet with 4 Digit Lock	09	600 x 450 x 501
131D-126410X	12U 600 x 450 Single Section Cabinet with 4 Digit Lock	12	600 x 450 x 635
131D-156410X	15U 600 x 450 Single Section Cabinet with 4 Digit Lock	15	600 x 450 x 769
131D-186410X	18U 600 x 450 Single Section Cabinet with 4 Digit Lock	18	600 x 450 x 901
131D-226410X	22U 600 x 450 Single Section Cabinet with 4 Digit Lock	22	600 x 450 x 1082
131D-276410X	27U 600 x 450 Single Section Cabinet with 4 Digit Lock	27	600 x 450 x 1304

X: R1(RAL 9004), R2(RAL 7035), R3(RAL 9010)

PACKING INFORMATION

Part Number	Packing Qty.	Packing Mode	N.W (kg)	G.W (kg)	Dimension (mm)
131D-046410X	1 x 1	Carton Box	14.0	14.8	630 x 465 x 300
131D-066410X	1 x 1	Carton Box	16.0	17.5	630 x 480 x 388
131D-096410X	1 x 1	Carton Box	19.0	20.7	630 x 480 x 531
131D-126410X	1 x 1	Carton Box	22.0	24.0	630 x 480 x 665
131D-156410X	1 x 1	Carton Box	26.0	28.5	630 x 480 x 789
131D-186410X	1 x 1	Carton Box	29.0	31.5	630 x 480 x 901
131D-226410X	1 x 1	Carton Box	35.0	37.8	630 x 480 x 1130
131D-276410X	1 x 1	Carton Box	42.0	45.0	630 x 480 x 1130