

2MP H.265 IR IP COMPACT DOME CAMERA



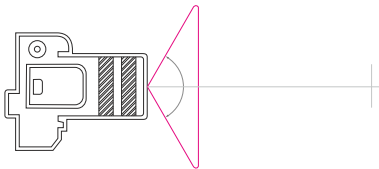
ENC-HCD5F-15R-69

FEATURES

1/2.8" Progressive Scan CMOS
2.8mm(3.6mm optional) Lens
25fps/30fps@2MP
Smart IR, Upto 15m
2D/3D DNR
Electronic Image Stabilization
Triple Streams
IP67



Field Of View



SPECIFICATION

MODEL	Model No.	ENC-HCD5F-15R-69
CAMERA	Type	2MP H.265 IR IP Compact Dome Camera
	Image Sensor	1/2.8", Progressive scan, 2.0 Megapixel, CMOS
	Lens	2.8mm(3.6mm optional) Lens
	Angle of View(H)	106.8°
	Shutter	Auto/Manual, 1/5-1/20,000s
	Min. Illumination	Color: 0.01Lux @F1.2 B/W: 0 Lux @(IR LED ON)
	AGC	Auto/Manual
	Day/Night	IR-Cut filter with auto switch (ICR)
	Digital noise reduction	2D/3D DNR
	S/N	>55dB
	IR Range	Up to 15M
	Defog	Digital Defog
	WDR	120dB
VIDEO & AUDIO	Max.Resolution	1920x1080
	Video Compression	H.265+, H.265, H.264, MJPEG
	Frame Rate	Main Stream: 1920x1080/1280x720 @25/30fps Sub Stream: D1/VGA/640x360/CIF/QVGA @25/30fps Third Stream: VGA/CIF/QVGA @25/30fps
	Streaming Capability	Triple Stream
	EIS/ROI	Supported
	HLC/BLC	Supported
	Privacy Mask	Supported
SMART	Motion Detection	Supported
	Audio Compression	G.711U/G.711A
	Behaviour Detection	Perimeter, Single Virtual Fence, Double Virtual Fences
	Intelligent Identification	Loiter, Multi Loiter, Missing Object, Abandoned Object
	Statistical Analysis	Abnormal Speed, Converse, Illegal Parking, Signal Bad



2MP H.265 IR IP COMPACT DOME CAMERA

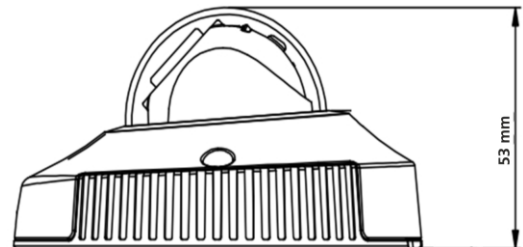
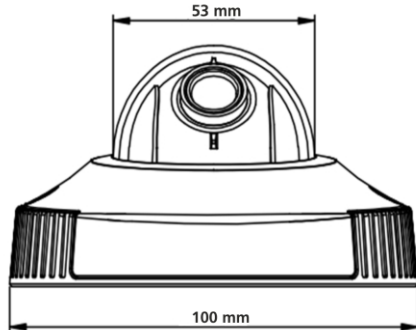


ENC-HCD5F-15R-69

SPECIFICATION

MODEL	Model No.	ENC-HCD5F-15R-69
	Type	2MP H.265 IR IP Dome Camera
NETWORK	Protocols	IPv4, IPv6, 802.1x, HTTP, HTTPS, TCP/IP, UDP/IP, RTSP, DHCP, NTP, RTCP/RTP, PPPoE, SMTP, DNS, UPnP, FTP, ARP, SNMP
	Compatibility	ONVIF (Profile S/G)
	CVBS Output	Supported
	Network	1 Ethernet (10/100 Base-T) RJ-45 Connector
	Audio I/O	1/1
	Alarm I/O	1/1
GENERAL	Power	DC 12V/POE (IEEE 802.3af)
	Power consumption	Max 5W
	Edge Storage	Micro SD upto 128GB
	Reset Button	Supported
	Working Environment	-40°C ~ 60°C Humidity: ≤90% RH
	Ingress Protection	IP67
	Dimensions	100x100x53mm
	Weight	0.4Kg

Dimension Unit: mm



ORDERING INFORMATION

Part Number	Description	Standard Quantity
ENC-HCD5F-15R-69	2MP h.265 IR IP Mini Dome camera with 3.6mm (optional 2.8) Fixed lens, POE, SD card slot, WDR, Smart Analytics and 15M IR support	1

PACKING INFORMATION

Part Number	Packing Mode	Gross Weight (kg)	Dimension (mm)
ENC-HCD5F-15R-69	Carton Box	0.4	100x100x53