

2MP H.265 IR IP COMPACT DOME CAMERA



ENC-HCD5F-25R-61

FEATURES

1/2.9" progressive scan CMOS

3.6mm (2.8mm optional) Lens

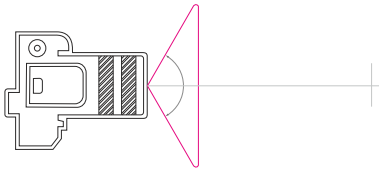
25/30fps@2MP

Smart IR Upto 25m

IP66



Field Of View



SPECIFICATION

MODEL	Model No.	ENC-HCD5F-25R-61
	Type	2MP H.265 IR IP Compact Dome Camera
CAMERA	Image Sensor	1/2.9", Progressive scan, 2.0 Megapixel, CMOS
	Lens	3.6mm (2.8mm optional)
	Angle of View(H)	80°
	Shutter	Auto/Manual, 1/5-1/20,000s
	Min. Illumination	Color: 0.01Lux @ F1.2 B/W: 0 Lux @(IR LED ON)
	AGC	Auto/Manual
	Day/Night	IR-Cut filter with auto switch (ICR)
	Digital noise reduction	2D/3D DNR
	S/N	>55dB
	IR Range	Up to 25M
Defog	Digital Defog	
WDR	dWDR	
VIDEO	Max.Resolution	1920x1080
	Video Compression	H.265+, H.265, H.264, MJPEG
	Frame Rate	Main Stream: 1920x1080/1280x720 @25/30fps Sub Stream: 704x576/640x360/480x360/352x288 @25/30fps
	Streaming Capability	Up to 2 Streams
	ROI	Supported
	HLC/BLC	Supported
	Privacy Mask	Supported
	Motion Detection	Supported
Smart Function	Virtual Fence, Face Detection, Human Detection, Advanced motion detection	



2MP H.265 IR IP COMPACT DOME CAMERA

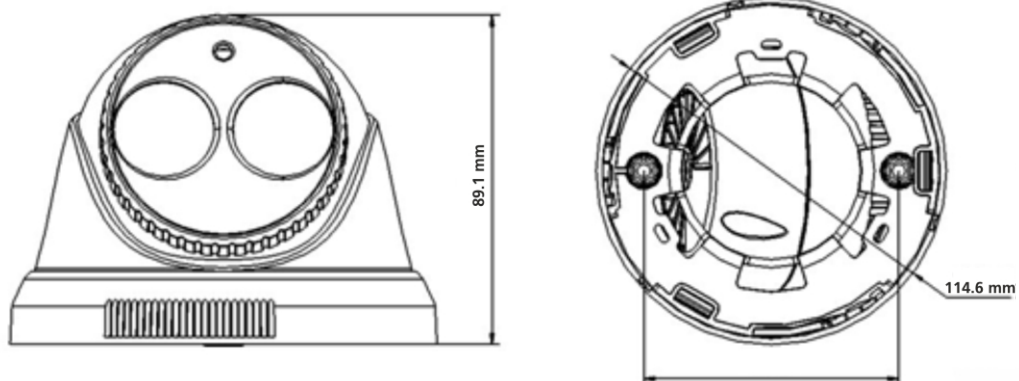


ENC-HCD5F-25R-61

SPECIFICATION

MODEL	Model No.	ENC-HCD5F-25R-61
INTERFACE	Type	2MP H.265 IR IP Compact Dome Camera
	Protocols	IPv6, IPv4, HTTP, HTTPS, TCP/UDP, RTSP/ RTP/RTCP, DHCP, NTP, SMTP, DNS, UPnP, SNMP
	Compatibility	ONVIF (Profile S/G)
	Network	1 Ethernet (10/100 Base-T) RJ-45 Connector
GENERAL	Power	DC 12V/POE (IEEE 802.3af)
	Power Consumption	3.5W
	Working Environment	-15°C ~ 55°C Humidity: ≤90% RH
	Ingress Protection	IP66
	Dimensions	114.6x114.6x89.1mm
	Weight	0.3Kg

Dimension Unit: mm



ORDERING INFORMATION

Part Number	Description	Standard Quantity
ENC-HCD5F-25R-61	2MP H.265 IR IP Compact camera with 2.8mm(optional 3.6mm) Fixed lens, POE, Smart Analytics and 25m IR Support.	1

PACKING INFORMATION

Part Number	Packing Mode	Gross Weight (kg)	Dimension (mm)
ENC-HCD5F-25R-61	Carton Box	0.3	114.6x114.6x89.1