

# 2MP H.265 IR IP EYEBALL CAMERA



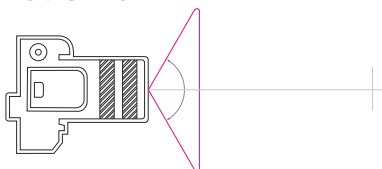
ENC-HCD5F-20R-68

## FEATURES

1/2.7" Progressive Scan CMOS
3.6mm Fixed lens
25fps/30fps@2MP
Smart IR, Upto 20m
2D/3D DNR
Electronic Image Stabilization
Triple Streams
IP66



## Field Of View



## SPECIFICATION

MODEL	Model No.	ENC-HCD5F-20R-68
CAMERA	Type	2MP H.265 IR IP Eyeball Camera
	Image Sensor	1/2.7" Progressive Scan CMOS
	Lens	3.6 mm Fixed lens
	Angle of View(H)	85°
	Shutter	Auto/Manual, 1/5-1/20000s
	Min. Illumination	Color: 0.01Lux @F1.2 B/W: 0 Lux @(IR LED ON)
	AGC	Auto/Manual
	Day/Night	IR-Cut filter with auto switch (ICR)
	Digital noise reduction	2D/3D DNR
	S/N	>55dB
	Smart IR	Up to 20M
	Defog	Digital Defog
	WDR	120dB
VIDEO	Max.Resolution	1920×1080
	Video Compression	H.265+, H.265, H.264, MJPEG
	Frame Rate	Main Stream: 1920×1080/1280×720 @25/30fps Sub Stream: D1/VGA/640×360/CIF/QVGA @25/30fps Third Stream: VGA/CIF/QVGA @25/30fps
	Streaming Capability	Triple Stream
	ROI	Supported
	EIS	Supported
	HLC	Supported
	Privacy Mask	Supported
Motion Detection	Supported	



# 2MP H.265 IR IP EYEBALL CAMERA

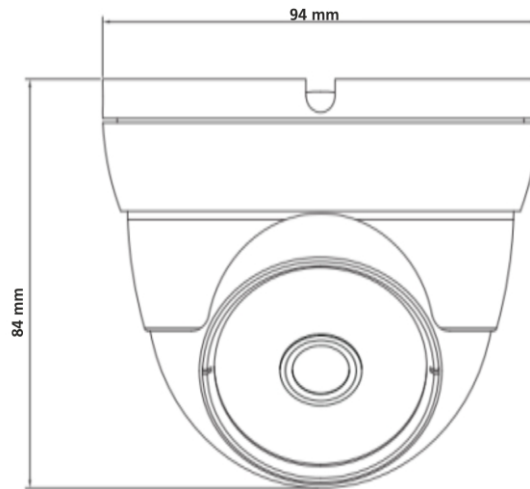


ENC-HCD5F-20R-68

## SPECIFICATION

MODEL	Model No.	ENC-HCD5F-20R-68
	Type	2MP H.265 IR IP Eyeball Camera
SMART	Behaviour Detection	Perimeter, Single Virtual Fences, Double Virtual Fences,
	Intelligent Identification	Loiter, Multi Loiter, Missing Object, Abandoned Object
	Statistical Analysis	Abnormal Speed, Converse, Illegal Parking, Signal Bad
INTERFACE	Protocols	IPv4, IPv6, 802.1x, HTTP, HTTPS, TCP/IP, UDP/IP, RTSP, DHCP, NTP, RTPC/RTP, PPPoE, SMTP, DNS, UPnP, FTP, ARP, SNMP
	Compatibility	ONVIF (Profile S/G)
	Network	1 Ethernet (10/100 Base-T) RJ-45 Connector
GENERAL	Power	DC 12V/POE
	Power consumption	Max 4.5W
	Working Environment	-30°C ~ 50°C Humidity: ≤90% RH
	Ingress Protection	IP66
	Dimensions	94x94x84mm
Weight	0.4Kg	

Dimension Unit: mm



## ORDERING INFORMATION

Part Number	Description	Standard Quantity
ENC-HCD5F-20R-68	2MP H.265 IR IP Eyeball Camera with 3.6mm Fixed lens, POE, WDR , Smart Analytics and 20M IR Support	1

## PACKING INFORMATION

Part Number	Packing Mode	Gross Weight (kg)	Dimension (mm)
ENC-HCD5F-20R-68	Carton Box	0.4	94x94x84

