

4MP H.265 IR IP COMPACT DOME CAMERA



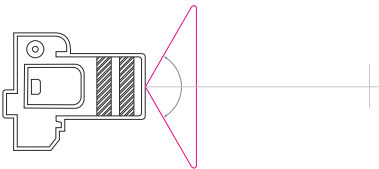
ENC-HDO7M-30R-68

FEATURES

1/3" Progressive Scan CMOS
2.8~8mm Motorized lens
25/30fps@4MP
Smart IR, Upto 30m
2D/3D DNR
Electronic Image Stabilization
Triple Streams
IP67



Field Of View



SPECIFICATION

MODEL	Model No.	ENC-HDO7M-30R-68
CAMERA	Type	4MP H.265 IR IP Compact Dome camera
	Image Sensor	1/3", Progressive scan, 4.0 Megapixel, CMOS
	Lens	2.8~8mm motorized lens
	Angle of View(H)	100°~45°
	Shutter	Auto/Manual, 1/5-1/20000s
	Min. Illumination	Color: 0.05Lux @F1.2 B/W: 0 Lux @(IR LED ON)
	AGC	Auto/Manual
	Day/Night	IR-Cut filter with auto switch (ICR)
	Digital noise reduction	2D/3D DNR
	S/N	>55dB
	IR Range	Up to 30M
	Defog	Digital Defog
	WDR	120dB
VIDEO & AUDIO	Max. Resolution	2592×1520
	Video Compression	H.265+, H.265, H.264, MJPEG
	Frame Rate	Main Stream: 2592×1520/2560×1440/2304×1296/ 1920×1080/1280×720 @25/30fps Sub Stream: D1/VGA/640×360/CIF/QVGA @25/30fps Third Stream: VGA/CIF/QVGA @25/30fps
	Streaming Capability	Triple Stream
	ROI	Supported
	HLC/BLC	Supported
	Privacy Mask	Supported
SMART	Motion Detection	Supported
	Audio Compression	G.711U/G.711A
	Behaviour Detection	Perimeter, Single Virtual Fences, Double Virtual Fences
	Intelligent Identification	Loiter, Multi Loiter, Missing Object, Abandoned Object
	Statistical Analysis	Abnormal Speed, Converse, Illegal Parking, Signal Bad



4MP H.265 IR IP COMPACT DOME CAMERA

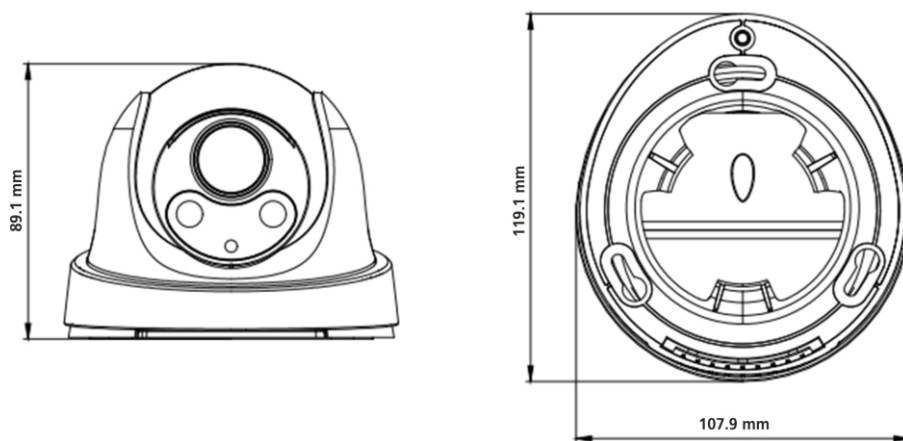


ENC-HDO7M-30R-68

SPECIFICATION

MODEL	Model No.	ENC-HDO7M-30R-68
INTERFACE	Type	4MP H.265 IR IP Compact Dome camera
	Protocols	IPv4, IPv6, 802.1x, HTTP, HTTPS, TCP/IP, UDP/IP, RTSP, DHCP, NTP, RTPC/RTP, PPPoE, SMTP, DNS, UPnP, FTP, ARP, SNMP
	Compatibility	ONVIF (Profile S/G)
	Network	1 Ethernet (10/100 Base-T) RJ-45 Connector
	Audio I/O	1/1
GENERAL	Power	DC 12V/POE
	Power consumption	Max 7W
	Reset Button	Supported
	Working Environment	-40°C ~ 60°C Humidity: ≤90% RH
	Ingress Protection	IP67
	Dimensions	119.1x107.9x89.1mm
Weight	0.5Kg	

Dimension Unit: mm



ORDERING INFORMATION

Part Number	Description	Standard Quantity
ENC-HDO7M-30R-68	4MP H.265 IR IP Compact Dome camera with 2.8~8mm Motorized lens, POE, WDR, Smart analytics, Built in Mic and 30M IR support	1

PACKING INFORMATION

Part Number	Packing Mode	Gross Weight (kg)	Dimension (mm)
ENC-HDO7M-30R-68	Carton Box	0.5	119.1x107.9x89.1

