

4MP H.265 IR IP DOME CAMERA



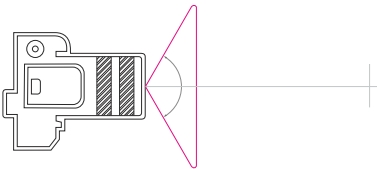
ENC-HDO7V-35R-68

FEATURES

1/3" Progressive Scan CMOS
2.8~12 mm Manual lens
25fps/30fps@4MP
Smart IR, Upto 35m
2D/3D DNR
Electronic Image Stabilization
Triple Streams
IP66



Field Of View



SPECIFICATION

MODEL	Model No.	ENC-HDO7V-35R-68
	Type	4MP H.265 IR IP Dome Camera
CAMERA	Image Sensor	1/3" Progressive Scan CMOS
	Lens	2.8~12 mm Manual lens
	Angle of View(H)	100°~ 35°
	Shutter	Auto/Manual, 1/5-1/20000s
	Min. Illumination	Color: 0.05Lux @F1.2 B/W: 0 Lux @(IR LED ON)
	AGC	Auto/Manual
	Day/Night	IR-Cut filter with auto switch (ICR)
	Digital noise reduction	2D/3D DNR
	S/N	>55dB
	Smart IR	Up to 35M
Defog	Digital Defog	
WDR	120dB	
VIDEO	Max.Resolution	2592×1520
	Video Compression	H.265+, H.265, H.264, MJPEG
	Frame Rate	Main Stream: 2592×1520/2560×1440/2304×1296/ 1920×1080/1280×720 @25/30fps Sub Stream: D1/VGA/640×360/ CIF/QVGA @25/30fps Third Stream: VGA/CIF/QVGA @25/30fps
	Streaming Capability	Triple Stream
	ROI	Supported
	EIS	Supported
	HLC	Supported
	Privacy Mask	Supported
Motion Detection	Supported	



4MP H.265 IR IP DOME CAMERA

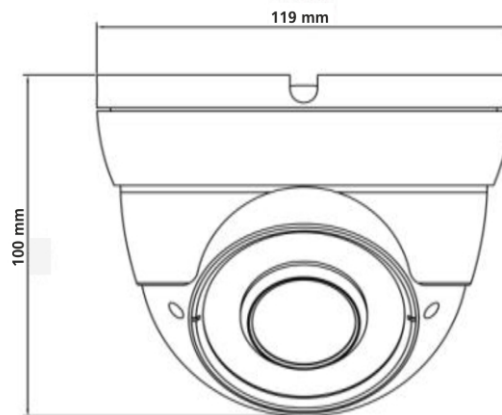


ENC-HDO7V-35R-68

SPECIFICATION

MODEL	Model No.	ENC-HDO7V-35R-68
	Type	4MP H.265 IR IP Dome Camera
SMART	Behaviour Detection	Perimeter, Single Virtual Fences, Double Virtual Fences,
	Intelligent Identification	Loiter, Multi Loiter, Missing Object, Abandoned Object
	Statistical Analysis	Abnormal Speed, Converse, Illegal Parking, Signal Bad
INTERFACE	Protocols	IPv4, IPv6, 802.1x, HTTP, HTTPS, TCP/IP, UDP/IP, RTSP, DHCP, NTP, RTCP/RTP, PPPoE, SMTP, DNS, UPnP, FTP, ARP, SNMP
	Compatibility	ONVIF (Profile S/G)
	Network	1 Ethernet (10/100 Base-T) RJ-45 Connector
GENERAL	Power	DC 12V/POE
	Power consumption	Max 6.5W
	Working Environment	-30°C ~ 50°C Humidity: ≤90% RH
	Ingress Protection	IP66
	Dimensions	119x119x100mm
Weight	0.7Kg	

Dimension Unit: mm



ORDERING INFORMATION

Part Number	Description	Standard Quantity
ENC-HDO7V-35R-68	4MP H.265 IR IP Dome Camera with 2.8~12mm Varifocal lens, POE, WDR, Smart Analytics and 35M IR Support	1

PACKING INFORMATION

Part Number	Packing Mode	Gross Weight (kg)	Dimension (mm)
ENC-HDO7V-35R-68	Carton Box	0.7	119x119x100

