

2MP H.265 IR IP PT DOME CAMERA



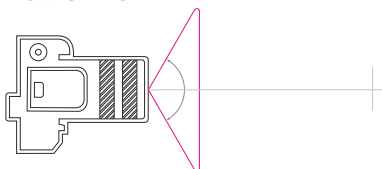
ENC-HPD5M-20R-68

FEATURES

1/2.8" Progressive Scan CMOS
2.8-8mm motorized lens
25fps/30fps@2MP
Smart IR, Upto 20m
2D/3D DNR
Electronic Image Stabilization
Triple Streams
IP66



Field Of View



SPECIFICATION

MODEL	Model No.	ENC-HPD5M-20R-68
CAMERA	Type	2MP H.265 IR IP PT Dome camera
	Image Sensor	1/2.8" Progressive Scan CMOS
	Lens	2.8~8mm Motorized lens
	Angle of View(H)	103.5°~ 50°
	Shutter	Auto/Manual, 1/5-1/20000s
	Min. Illumination	Color: 0.01Lux @F1.2 B/W: 0 Lux @(IR LED ON)
	AGC	Auto/Manual
	Day/Night	IR-Cut filter with auto switch (ICR)
	Digital noise reduction	2D/3D DNR
	S/N	>55dB
	Smart IR	Up to 20M
	Defog	Digital Defog
	WDR	120dB
VIDEO	Max.Resolution	1920x1080
	Video Compression	H.265+, H.265, H.264, MJPEG
	Frame Rate	Main Stream: : 1920x1080/1280x720 @25/30fps Sub Stream: D1/VGA/640x360/CIF/QVGA @25/30fps Third Stream: VGA/CIF/QVGA @25/30fps
	Streaming Capability	Triple Stream
	ROI	Supported
	EIS	Supported
	HLC	Supported
	Privacy Mask	Supported
SMART	Motion Detection	Supported
	Behaviour Detection	Perimeter, Single Virtual Fences, Double Virtual Fences
	Intelligent Identification	Loiter, Multi Loiter, Missing Object, Abandoned Object
	Statistical Analysis	Abnormal Speed, Converse, Illegal Parking, Signal Bad



2MP H.265 IR IP PT DOME CAMERA

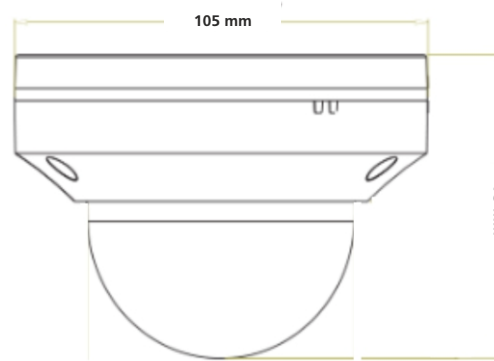


ENC-HPD5M-20R-68

SPECIFICATION

MODEL	Model No.	ENC-HPD5M-20R-68
PAN & TILT	Type	2MP H.265 IR IP PT Dome camera
	Pan Range	0°~350°
	Tilt Range	0°~90°
	Pan Speed	0.1~120°/s
	Tilt Speed	0.1~120°/s
INTERFACE	Protocols	IPv4, IPv6, 802.1x, HTTP, HTTPS, TCP/IP, UDP/IP, RTSP, DHCP, NTP, RTCP/RTP, PPPoE, SMTP, DNS, UPnP, FTP, ARP, SNMP
	Compatibility	ONVIF (Profile S/G)
	Network	1 Ethernet (10/100 Base-T) RJ-45 Connector
GENERAL	Power	DC 12V/POE
	Power consumption	Max 4.5W
	Reset Button	Supported
	Working Environment	-30°C ~ 50°C Humidity: ≤90% RH
	Ingress Protection	IP66
	Dimensions	105x105x73mm
Weight	0.5Kg	

Dimension Unit: mm



ORDERING INFORMATION

Part Number	Description	Standard Quantity
ENC-HPD5M-20R-68	2MP H.265 IR IP PT Dome Camera with 2.8 to 8mm Motorized lens, POE, WDR, Smart analytics and 20M IR Support	1

PACKING INFORMATION

Part Number	Packing Mode	Gross Weight (kg)	Dimension (mm)
ENC-HPD5M-20R-68	Carton Box	0.5	105x105x73

