

4MP H.265 IR IP VANDAL PROOF DOME CAMERA



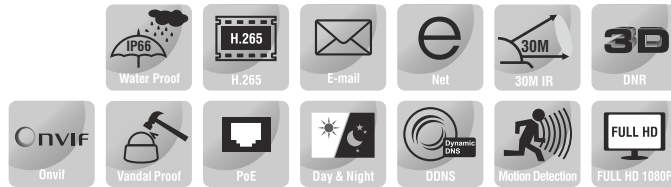
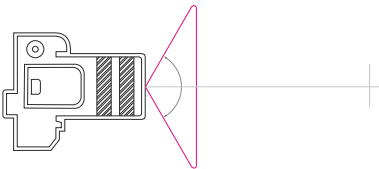
ENC-HVD7M-30R-68

FEATURES

- 1/3" Progressive Scan CMOS
- 2.7~13.5 mm Motorized lens
- 25fps/30fps@4MP
- Smart IR, Upto 30m
- 2D/3D DNR
- Electronic Image Stabilization
- Triple Streams
- IP66, IK10



Field Of View



SPECIFICATION

MODEL	Model No.	ENC-HVD7M-30R-68
CAMERA	Type	4MP H.265 IR IP Vandal Proof Dome Camera
	Image Sensor	1/3", Progressive scan, 4.0 Megapixel, CMOS
	Lens	2.7~13.5 mm Motorized lens
	Angle of View(H)	103°~ 34.3°
	Shutter	Auto/Manual, 1/5-1/20000s
	Min. Illumination	Color: 0.05Lux @F1.2 B/W: 0 Lux @(IR LED ON)
	AGC	Auto/Manual
	Day/Night	IR-Cut filter with auto switch (ICR)
	Digital noise reduction	2D/3D DNR
	S/N	>55dB
	Smart IR	Up to 30M
Defog	Digital Defog	
WDR	120dB	
VIDEO	Max.Resolution	2592×1520
	Video Compression	H.265+, H.265, H.264, MJPEG
	Frame Rate	Main Stream: : 2592×1520/2560×1440/2304×1296/ 1920×1080/1280×720 @25/30fps Sub Stream: D1/VGA/640×360/CIF/QVGA @25/30fps Third Stream: VGA/CIF/QVGA @25/30fps
	Streaming Capability	Triple Stream
	ROI	Supported
	EIS	Supported
	HLC	Supported
	Privacy Mask	Supported
Motion Detection	Supported	



4MP H.265 IR IP VANDAL PROOF DOME CAMERA

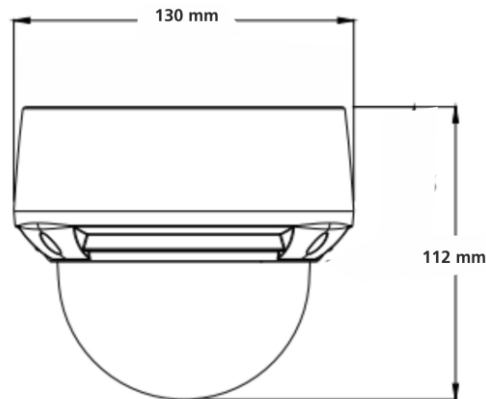


ENC-HVD7M-30R-68

SPECIFICATION

MODEL	Model No.	ENC-HVD7M-30R-68
	Type	4MP H.265 IR IP Vandal Proof Dome Camera
SMART	Behaviour Detection	Perimeter, Single Virtual Fences, Double Virtual Fences
	Intelligent Identification	Loiter, Multi Loiter, Object Left, Object Removed
	Statistical Analysis	Abnormal Speed, Converse, Illegal Parking, Signal Bad
INTERFACE	Protocols	IPv4, IPv6, 802.1x, HTTP, HTTPS, TCP/IP, UDP/IP, RTSP, DHCP, NTP, RTCP/RTP, PPPoE, SMTP, DNS, UPnP, FTP, ARP, SNMP
	Compatibility	ONVIF (Profile S/G)
	Network	1 Ethernet (10/100 Base-T) RJ-45 Connector
GENERAL	Power	DC 12V/POE (IEEE 802.3af)
	Power consumption	Max 5W
	Working Environment	-30°C ~ 50°C Humidity: ≤90% RH
	Ingress Protection	IP66
	Vandal Resistant	IK10
	Dimensions	130x130x112mm
Weight	0.7Kg	

Dimension Unit: mm



ORDERING INFORMATION

Part Number	Description	Standard Quantity
ENC-HVD7M-30R-68	4MP H.265 IR IP Vandal Proof Dome Camera with 2.7~13.5mm Motorized lens, POE, WDR, Smart Analytics and 30M IR Support	1

PACKING INFORMATION

Part Number	Packing Mode	Gross Weight (kg)	Dimension (mm)
ENC-HVD7M-30R-68	Carton Box	0.7	130x130x112

