

# 4MP H.265 IR IP VANDAL PROOF DOME CAMERA



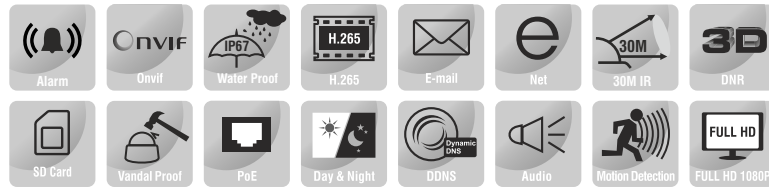
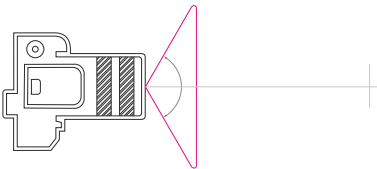
ENC-HVD7M-30R-69

## FEATURES

- 1/3" Progressive Scan CMOS
- 2.7~12mm motorized lens
- 25fps/30fps@4MP
- Smart IR, Upto 30m
- 2D/3D DNR
- Electronic Image Stabilization
- Triple Streams
- IP67, IK10



## Field Of View



## SPECIFICATION

MODEL	Model No.	ENC-HVD7M-30R-69
CAMERA	Type	4MP H.265 IR IP Vandal Proof Dome camera
	Image Sensor	1/3", Progressive scan, 2.0 Megapixel, CMOS
	Lens	2.7~12mm motorized lens
	Angle of View(H)	100°~ 30°
	Shutter	Auto/Manual, 1/5-1/20,000s
	Min. Illumination	Color: 0.05Lux @F1.2 B/W: 0 Lux @(IR LED ON)
	AGC	Auto/Manual
	Day/Night	IR-Cut filter with auto switch (ICR)
	Digital noise reduction	2D/3D DNR
	S/N	>55dB
	IR Range	Up to 30M
	Defog	Digital Defog
	WDR	120dB
	VIDEO & AUDIO	Max.Resolution
Video Compression		H.265+, H.265, H.264, MJPEG
Frame Rate		Main Stream: : 2592x1520/2560x1440/2304x1296/ 1920x1080/1280x720 @25/30fps Sub Stream: D1/VGA/640x360/CIF/QVGA @25/30fps Thirid Stream: VGA/CIF/QVGA @25/30fps
Streaming Capability		Triple Stream
ROI		Supported
HLC/BLC		Supported
Privacy Mask		Supported
Motion Detection		Supported
Audio Compression	G.711U/G.711A	
SMART	Behaviour Detection	Perimeter, Single Virtual Fences, Double Virtual Fences
	Intelligent Identification	Loiter, Multi Loiter, Missing Object, Abandoned Object
	Statistical Analysis	Abnormal Speed, Converse, Illegal Parking, Signal Bad



# 4MP H.265 IR IP VANDAL PROOF DOME CAMERA

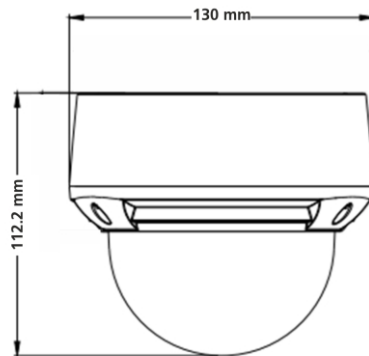


ENC-HVD7M-30R-69

## SPECIFICATION

MODEL	Model No.	ENC-HVD7M-30R-69
INTERFACE	Type	4MP H.265 IR IP Vandal Proof Dome camera
	Protocols	IPv4, IPv6, 802.1x, HTTP, HTTPS, TCP/IP, UDP/IP, RTSP, DHCP, NTP, RTCP/ RTP, PPPoE, SMTP, DNS, UPnP, FTP, ARP, SNMP
	Compatibility	ONVIF (Profile S/G)
	CVBS Output	Supported
	Rs485	Supported
	Network	1 Ethernet (10/100 Base-T) RJ-45 Connector
	Audio I/O	1/1
	Alarm I/O	1/1
GENERAL	Power	DC 12V/AC24V/POE (IEEE 802.3af)
	Power consumption	Max 7W
	Edge Storage	MicroSD, up to 128GB
	Reset Button	Supported
	Working Environment	-40°C ~ 60°C Humidity: ≤90% RH
	Ingress Protection	IP67
	Vandal Resistant	IK10
	Dimensions	130x130x112mm
Weight	0.9Kg	

Dimension Unit: mm



## ORDERING INFORMATION

Part Number	Description	Standard Quantity
ENC-HVD7M-30R-69	4MP H.265 IR IP Vandal Proof Dome camera with 2.7 to 12mm Motorized lens, WDR, POE, SD card Slot, Analytic features and 30m IR Support	1

## PACKING INFORMATION

Part Number	Packing Mode	Gross Weight (kg)	Dimension (mm)
ENC-HVD7M-30R-69	Carton Box	0.9	130x130x112

