

# 4MP H.265 IR IP VANDAL PROOF DOME CAMERA



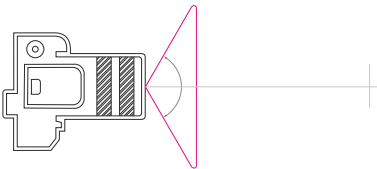
ENC-HVD7V-30R-68

## FEATURES

1/3" Progressive Scan CMOS
2.8~12mm Varifocal lens
25fps/30fps@4MP
Smart IR, Upto 30m
2D/3D DNR
Electronic Image Stabilization
Triple Streams
IP66



## Field Of View



## SPECIFICATION

MODEL	Model No.	ENC-HVD7V-30R-68
CAMERA	Type	4MP H.265 IR IP Vandal Proof Dome Camera
	Image Sensor	1/3" Progressive Scan CMOS
	Lens	2.8~12mm Varifocal lens
	Angle of View(H)	100°~ 35°
	Shutter	Auto/Manual, 1/5-1/20000s
	Min. Illumination	Color: 0.05Lux @F1.2 B/W: 0 Lux @(IR LED ON)
	AGC	Auto/Manual
	Day/Night	IR-Cut filter with auto switch (ICR)
	Digital noise reduction	2D/3D DNR
	S/N	>55dB
	Smart IR	Up to 30M
	Defog	Digital Defog
	WDR	120dB
VIDEO	Max.Resolution	2592×1520
	Video Compression	H.265+, H.265, H.264, MJPEG
	Frame Rate	Main Stream: 2592×1520/2560×1440/2304×1296/ 1920×1080/1280×720 @25/30fps Sub Stream: D1/VGA/640×360/CIF/QVGA @25/30fps Third Stream: VGA/CIF/QVGA @25/30fps
	Streaming Capability	Triple Stream
	ROI	Supported
	EIS	Supported
	HLC	Supported
	Privacy Mask	Supported
Motion Detection	Supported	



# 4MP H.265 IR IP VANDAL PROOF DOME CAMERA

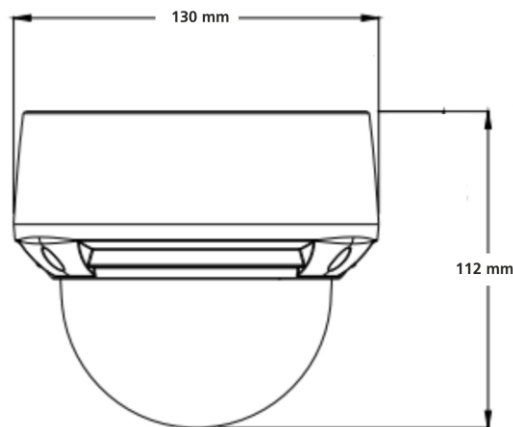


ENC-HVD7V-30R-68

## SPECIFICATION

<b>MODEL</b>	<b>Model No.</b>	<b>ENC-HVD7V-30R-68</b>
	Type	4MP H.265 IR IP Vandal Proof Dome Camera
<b>SMART</b>	Behaviour Detection	Perimeter, Single Virtual Fences, Double Virtual Fences,
	Intelligent Identification	Loiter, Multi Loiter, Missing Object, Abandoned Object
	Statistical Analysis	Abnormal Speed, Converse, Illegal Parking, Signal Bad
<b>INTERFACE</b>	Protocols	IPv4, IPv6, 802.1x, HTTP, HTTPS, TCP/IP, UDP/IP, RTSP, DHCP, NTP, RTCP/RTP, PPPoE, SMTP, DNS, UPnP, FTP, ARP, SNMP
	Compatibility	ONVIF (Profile S/G)
	Network	1 Ethernet (10/100 Base-T) RJ-45 Connector
<b>GENERAL</b>	Power	DC 12V/POE (IEEE 802.3af)
	Power consumption	Max 5W
	Working Environment	-30°C ~ 50°C Humidity: ≤90% RH
	Ingress Protection	IP66
	Vandal Resistant	IK10
	Dimensions	130x130x112mm
	Weight	0.7Kg

Dimension Unit: mm



## ORDERING INFORMATION

Part Number	Description	Standard Quantity
ENC-HVD7V-30R-68	4MP H.265 IR IP Vandal Proof Dome Camera with 2.8~12mm Varifocal lens, POE, WDR , Smart Analytics and 30M IR Support	1

## PACKING INFORMATION

Part Number	Packing Mode	Gross Weight (kg)	Dimension (mm)
ENC-HVD7V-30R-68	Carton Box	0.7	130x130x112