

4MP IR IP BULLET CAMERA



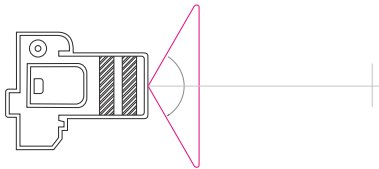
ENC-HBU7V-25R-59

FEATURES

1/3" Progressive Scan CMOS
3.0-12mm Varifocal Lens
15fps @ 4MP, 20fps@3MP, 30@fps1080P
Smart IR Upto 25M
Electronic Image Stabilization
IP66



Field Of View



SPECIFICATION

MODEL	Model No.	ENC-HBU7V-25R-59
CAMERA	Type	4MP IR IP Bullet Camera
	Image Sensor	1/3" Progressive Scan CMOS
	Lens	3.0-12mm Varifocal Lens
	Iris	Auto Iris
	Angle of View	87° ~ 35°
	Shutter	1/5-1/20000
	Min. illumination	Color 0.01Lux, BW 0 Lux(IR On)
	AGC	Auto/Manual
	Day/Night	ICR
	Digital Noise Reduction	2D/3D
	Smart IR	25M
	Defog	Digital Defog
	Wide Dynamic Range	dWDR
	VIDEO & AUDIO	Max. Resolution
Video Compression		H.265+, H.265, H.264, MJPEG
Frame Rate		Main Stream : 2688*1512/2560*1440/2304*1296/1920x1080 Sub Stream : 720p to QVGA
ROI		Supported
HLC		Supported
Corridor mode		Supported
EIS		Supported
Audio Compression	G.711U/G.711A	



4MP IR IP BULLET CAMERA

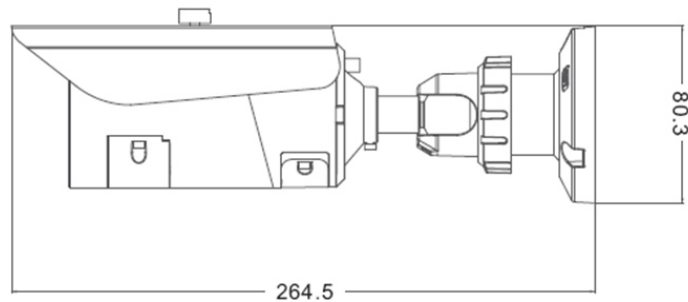


ENC-HBU7V-25R-59

SPECIFICATION

MODEL	Model No.	ENC-HBU7V-25R-59
	Type	4MP IR IP Bullet Camera
	Protocols	HTTP, HTTPS, TCP/IP, IPv4, IPv6, UDP/IP, RTSP, DHCP, NTP, PPPoE, Unicast and Multicast supported.
INTERFACE	Compatibility	Onvif (Profile S/G)
	Network	1 Ethernet (10/100 Base-T) RJ-45 Connector
	BNC Output	Supported
	Audio I/O	1/1
GENERAL	Power	DC 12V/POE IEEE802.3af
	Power Consumption	5.5W
	Edge Storage	Micro SD Slot Upto 64GB
	Reset Button	Supported
	Working Environment	-20°C~+60°C, Humidity: < 90% RH
	Ingress Protection	IP66
	Dimensions	80.3x80.3x264.5mm
Weight	0.78Kg	

Dimension Unit: mm



ORDERING INFORMATION

Part Number	Description	Standard Quantity
ENC-HBU7V-25R-59	4MP IR IP Bullet Camera with 2.8 to 12mm Varifocal lens, PoE, SD card Slot, Analytic feature and 25M IR support	1

PACKING INFORMATION

Part Number	Packing Mode	Gross Weight (kg)	Dimension (mm)
ENC-HBU7V-25R-59	Carton Box	0.78	80.3x80.3x264.5

