

12MP HEMISPHERIC DOME CAMERA



ENC-HDOCH-15R-65

FEATURES

- 1.8 mm Fixed Lens
- Smart IR up to 15 m
- ONVIF Profile (S, G, T)
- Audio & Alarm Support
- IP67, PoE



SPECIFICATION

MODEL	Model No.	ENC-HDOCH-15R-65
	Type	12MP HEMISPHERIC DOME CAMERA
CAMERA	Sensor	1/1.7" CMOS Progressive 12.0 MegaPixel
	Day / Night	IR Cut Filter with Auto Switch
	Lens Type	Fixed
	Focal Length	1.8 mm
	Focus	Fixed
	Iris	Fixed
	Angle of View	360°
	Aperture Range	F2.4
	Shutter	1s ~ 1/100,000s, Auto / Manual
	Minimum Illumination	Color: 0.001 lux @ F2.4; B/W:0 lux with IR
	AGC	Auto / Manual
	Digital Noise Reduction	2D & 3D, Auto / Manual
	S/N Ratio	≥55 dB
	Smart IR	Up to 15 m
Defog	Smart Defog	
WDR	DWDR	
Wavelength	850 nm	
VIDEO	Max. Resolution	4000 × 3000
	Video Compression	H.265+, H.265, H.264, MJPEG
	Frame Rate	Main Stream: (4000×3000, 4000×2000, 3840×2160, 3000×3000, 3000×752, 2560×2560, 1920×1080) @ 25/25fps Sub Stream: (1280×960, 720×720, D1) @ 25/25fps
	Display Mode	Fisheye View, Fisheye + 3PTZ, Fisheye + 4PTZ, Fisheye + 8PTZ, Panorama, 180° Panorama, Panorama + 3PTZ, Panorama + 4PTZ, Panorama +8 PTZ, 360° Panorama + 1PTZ, 360° Panorama + 6PTZ
	Stream Settings	i-Frame, PAL/NTSC, Frame Rate, EIS
	Video Bit Rate	64 kbps ~ 16 Mbps
	Bitrate Type	CBR, VBR
	Image Settings	Brightness, Contrast, Saturation, Sharpness, Day/Night (Color, Mono, Auto), Flip/Mirror/Rotation, Multiple Scene & Profile
	White Balance	Auto, Daynight, Tungsten, Manual
	HLC	Supported
	BLC	Supported
	OSD	Total 7 regions
	OSD Type	Title, Week, Date, Time, Text with different colors and adaptable sizes, Image overlay
	ROI	Up to 8 regions
Privacy Mask	Up to 4 regions	

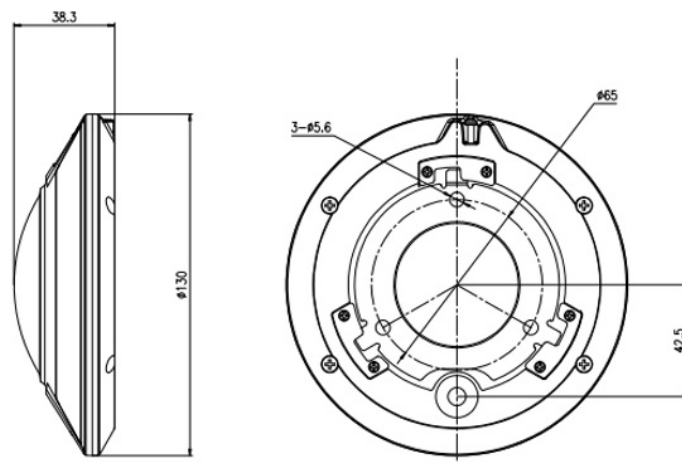
12MP HEMISPHERIC DOME CAMERA



ENC-HDOCH-15R-65

MODEL	Model No.	ENC-HDOCH-15R-65
	Type	12MP HEMISPHERIC DOME CAMERA
AUDIO	Audio Compression	G.711A, G.711U, RAW_PCM
	Two-way Audio	Supported
	Audio Bit Rate	64kbps ~ 128kbps
	Audio I/O	1/1
	Built-in Mic	Supported
SMART	Behavior Detection	Intrusion (Perimeter), Crossline (Tripwire), Double Crossline (Double Tripwire)
	Intelligent Identification	Loitering, Multi Loitering, Abandoned Object (Object Left), Missing Object (Object Lost)
	Statistical Analysis	Face Detection , People Counting, Human & Vehicle Detection, Abnormal Video & Audio Detection, Wrong Way Detection, Illegal Parking, Tampering / Masking / Scene Change, Abnormal Speed
	Alarm Management	Motion Detection, Tampering (Masking), Input & Output Event, Network Alarm, Disk Alarm, Day Night Switch Alarm, Abnormal Audio Alarm, Pre/Post Alarm Recording, Alarm Recording/Snapshot
	Alarm Notifications	E-mail, HTTP, FTP, SD Card & Alarm Out (Event Notification/ Recording/ Snapshot upload through E-mail, HTTP, FTP & SD Card)
INTERFACE	Protocols	TCP/IP, UDP, IPv4, IPv6, HTTP, HTTPS, FTP, DHCP, DNS, DDNS, RTP/RTCP, RTSP, PPPoE, NTP, UPnP, SMTP, IGMP, 802.1X, QoS, Multicast, SNMP, ARP, SSL/TLS1.2
	Security	TLS Video Encryption, IP Filter, User Authentication (Multiple Privilege Level), 802.1X Authentication , HTTPS Authentication, RTSP Authentication, Digest Authentication, User Access Log
	Compatibility	ONVIF (Profile S, G, T), SDK/CGI
	Network	1 x RJ45 10M/100M Self Adaptive Ethernet Port
	Alarm Interface	1 Input / 1 Output
	Edge Storage	SD card slot, up to 256 GB
	Max. User	10
	Client Application	EyeGuard
GENERAL	Power	12V DC, PoE (IEEE 802.3af)
	Power consumption	Max 9 W
	Working Temperature	-40°C ~ 60°C
	Working Humidity	≤95% RH
	Ingress Protection	IP67
	Surge Protection	TVS4000V
	Reset Button	Supported
	Dimensions	Φ130 × 38.3 mm
Weight	0.5 kg	

Dimension Unit : mm



12MP HEMISPHERIC DOME CAMERA



ENC-HDOCH-15R-65

ORDERING INFORMATION

Part Number	Description	Standard Quantity
ENC-HDOCH-15R-65	12MP IR IP Hemispheric Dome Camera with 1.8mm Fisheye Lens, PoE, SD Card Slot ,Built-in Mic, Smart Analytics and 15m IR Support	1
ENB-BCDP66	Pendent Mount for Eyenor Dome Camera	1
ENB-BCDW66	Wall Mount Bracket for Eyenor Dome / Mini PTZ Camera	1
ENB-BCDU66	Pole Mount Bracket for Eyenor Dome / Mini PTZ Camera	1
ENB-BCPH65	Corner Mount Bracket for Dome / Mini PTZ Camera	1

PACKING INFORMATION

Part Number	Packing Mode	Gross weight(Kg)	Dimension(mm)
ENC-HDOCH-15R-65	Carton Box	-	-