

8x8 Digital Audio Matrix



DESCRIPTION

The NVS-PA0001008MP is a 8x8 Digital Audio Matrix that supports multiple sources and several zones for paging. It offers remote paging, remote panel control, remote PC & Android pad control, as well as 8 balanced audio inputs and 8 balanced audio outputs. It provides multiple audio inputs. In addition to 8 AUX inputs, it has built-in FM and enables internal or external USB MP3 playback. It provides TEL paging to all zones, one-touch alarm, 8 dry contact inputs, and 1 dry contact output to better adapt to the emergency system. It offers a comprehensive solution for multi-zone, multi-functional buildings including entertainment venues, huge hotels, sports facilities, malls, and airports, among others.

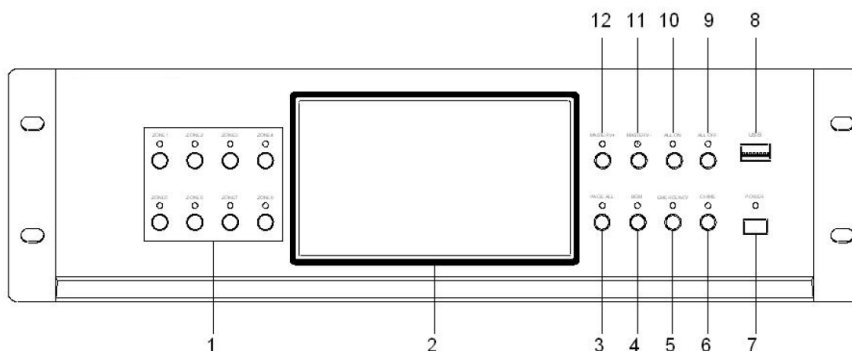
FEATURES

- ⦿ 7" touch screen
- ⦿ Built-in control software
- ⦿ Integrated with audio matrix, zones, timing, voice alarm, etc.
- ⦿ 8 channel balanced audio inputs, 8 channel balanced audio outputs
- ⦿ Each zone support remote panel control
- ⦿ Support 4 remote paging microphone, 2 local Mic with phantom power supply
- ⦿ Support MP3 playing (built-in audio or external USB) and FM
- ⦿ Built-in 4GB memory, can extend up to 32GB
- ⦿ Support monitoring function, can monitor each individual zone separately
- ⦿ Support remote computer control and Android pad control within the same network
- ⦿ Support AC Power input and DC 24V input

| Specifications | |
|---------------------------|---|
| Model | NVS-PA0001008MP |
| Frequency Response (±3dB) | MIC I/O : 80Hz~10kHz(±3dB) Line I/O : 20Hz~20kHz(±3dB) |
| Input Sensitivity | MIC1 & MIC2 : 10mV Line 1-8 : 250mV EMC : 250mV |
| Total Harmonic Distortion | <1% 1KHz |
| Radio Frequency Band | 86Hz -108MHz |
| Maximum Output Noise | <3mV |
| Output Voltage | Lines 1-8 : 1V |
| Power Supply | ~230V/50Hz/DC 24V |
| Weight | 10Kg |
| Dimension | 484×375×132mm |

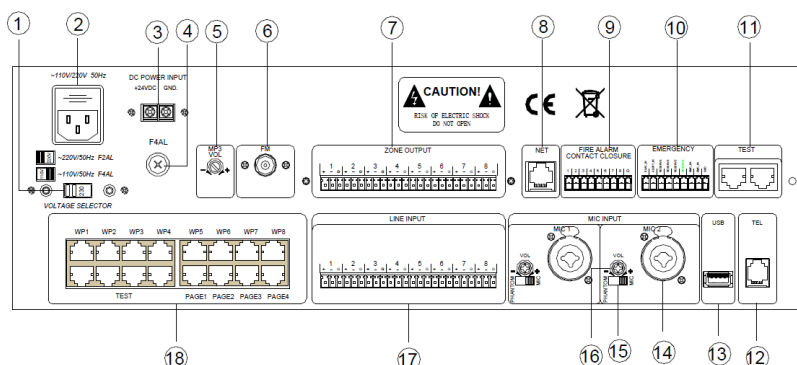
8x8 Digital Audio Matrix

FRONT PANEL



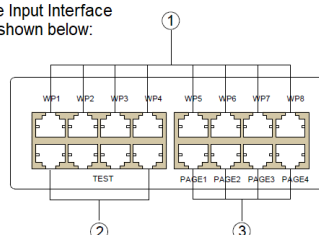
- 1. 1-8 zones button and indicator
- 2. Display Screen/Touch Screen
- 3. Page all button and indicator
- 4. BGM button and indicator
- 5. Full emergency button and indicator
- 6. Chime and indicator
- 7. Power
- 8. USB
- 9. All-page close and indicator
- 10. All-page open and indicator
- 11. Volume control
- 12. Volume up +

REAR PANEL



- 1. AC 110V/220V Selector Switch
- 2. AC Power Input Socket
- 3. DC 24V connection terminal
- 4. DC 24V Fuse
- 5. MP3 volume control knob
- 6. FM Antenna Interface
- 7. zones Output
- 8. Network Interface
- 9. Alarm Signal Input
- 10. Alarm Signal Input
- 11. Testing Interface
- 12. Telephone Interface
- 13. USB
- 14. MIC2 Input Interface
- 15. +48V Phantom Power Control Switch (MIC1-MIC2)
- 16. Volume Control Knob

- 17. Line Input Interface
- 18. As shown below:



- 1. Control panel interface
- 2. Extension interface
- 3. Connect 4 NVS-PA0002008PM paging microphones

ORDERING INFORMATION

| Part Number | Description | Standard Quantity |
|-----------------|--------------------------|-------------------|
| NVS-PA0001008MP | 8x8 Digital Audio Matrix | 01 |