

NVS-10640006WS

ABS Wall Mount Speaker 6W



DESCRIPTION

The NVS-10640006WS is an ABS Wall Mount Speaker mainly designed for cost effective applications. It's 4.5" driver delivers 6W power output & 180Hz~14kHz Frequency Range. Its streamlined appearance and integrated design allow it to blend in with a variety of decoration styles. It is suitable for schools, offices, supermarkets etc.

FEATURES

- ⊙ Clear and bright sound;
- ⊙ Designed specially for cost-sensitive applications;
- ⊙ Streamlined appearance and integrated design allow it match with different decoration style;
- ⊙ Small volume with built-in audio transformer.
- ⊙ Used to play music and broadcast

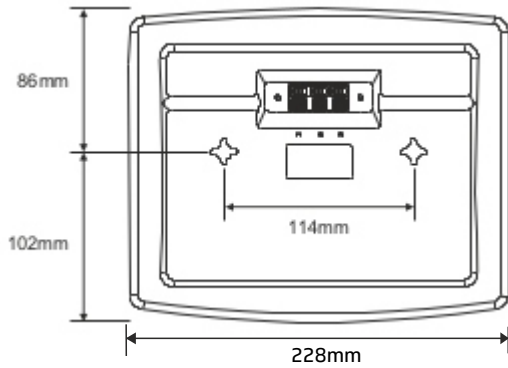
Specifications

Model	NVS-10640006WS
Rated Power	6W
Driver Size	4.5"×1
Frequency Response	180Hz~14kHz
Power Taping Options	2.5/5/6W
Input Voltage/Impedance	70V/100V/8Ω
Sensitivity (1m,1w)	90dB±2dB
Maximum SPL(1m)	100dB±2dB
Weight	0.8kg
Dimension (H×W×D)	188×228×101mm

NVS-10640006WS

ABS Wall Mount Speaker 6W

DIMENSION



ORDERING INFORMATION

Part Number	Description	Standard Quantity
NVS-10640006WS	ABS Wall Mount Speaker 6W	1