

5MP IR IP H.265 PTZ DOME CAMERA



ENC-HHP8Z-50R-11

FEATURES

Starlight Illumination

16X Digital Zoom

4X Optical Zoom

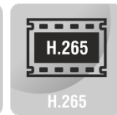
Smart IR Up to 50m & Warm light Up to 10m

Onvif (Profile S/G/T)

Triple Streams

Built in MIC & Speaker

IP66,POE



SPECIFICATION

MODEL	Model No.	ENC-HHP8Z-50R-11
	Type	5MP IR IP H.265 PTZ dome camera
CAMERA	Image Sensor	1/2.7" progressive scan, 5.0 megapixel, CMOS
	Lens	2.8~12mm,AF automatic focusing and motorized zoom lens
	Angle of View (H)	30.6°~104.1°
	Angle of View (V)	17.4°~54.9°
	Angle of View (O)	34.4°~108.3°
	Adjustment angle	Pan: 3° ~ 360°, Tilt: 0° ~ 68°, Rotate: 3° ~ 360°
	Shutter	Auto/Manual, 1 ~ 1/1000000s
	Minimum Illumination	Colour: 0.003Lux (F1.6, AGC ON) 0Lux with IR
	Day/Night	IR-cut filter with auto switch (ICR)
	S/N	>52 Db
	IR Range	Up to 50m (164ft) IR range
	Wavelength	850nm
	IR On/Off Control	Auto/Manual
	Defog	Digital Defog
	WDR	120dB
Digital Zoom	16X	
Optical Zoom	4X	
Warm Light Range	UP to 10m (33ft)	



5MP IR IP H.265 PTZ DOME CAMERA



ENC-HHP8Z-50R-11

MODEL	Model No.	ENC-HHP8Z-50R-11
	Type	5MP IR IP H.265 PTZ dome camera
VIDEO	Video Compression	H.265+, H.265, H.264, MJPEG
	H.264 code profile	Baseline profile, Main profile
	Frame Rate	Main Stream: 5MP (2880*1620), Max 30fps; 4MP (2560*1440), Max 25fps; 3MP (2304*1296), Max 25fps; 2MP (1920*1080), Max 30fps; Sub Stream: 720P (1280*720), Max 30fps; D1 (720*576), Max 30fps; 640*360, Max 30fps; 2CIF (704*288), Max 30fps; CIF (352*288), Max 30fps; Third Stream: D1 (720*576), Max 30fps; 640*360, Max 30fps; 2CIF (704*288), Max 30fps; CIF (352*288), Max 30fps
	Video Bit Rate	128 Kbps~16 Mbps
	9:16 Corridor Mode	N/A
	OSD	Up to 8 OSDs
	Privacy Mask	Up to 8 areas
	ROI	Up to 8 areas
	Motion Detection	Up to 4 areas
	White Balance	Auto/Outdoor/Fine Tune/Sodium Lamp/Locked/Auto2
	Digital noise reduction	2D/3D DNR
	Smart IR	Supported
	Flip	Normal/Vertical/Horizontal/180°/90°Clockwise/90°Anti-clockwise
	Dewarping	N/A
	HLC	Supported
	BLC	Supported
AUDIO	Audio Compression	G.711U, G.711A
	Two-way Audio	Supported
	Audio I/O	N/A
	Suppression	Supported
	Sampling Rate	8KHZ
	Built-in Mic	Supported
SMART	Alarm Trigger	Cross line, intrusion, enter area, leave area detection, Motion detection, tampering alarm, audio detection
	General Function	Watermark, IP Address Filtering, Tampering Alarm, Access Policy, ARP Protection, RTSP Authentication, User Authentication
INTERFACE	Protocols	IPv4, IGMP, ICMP, ARP, TCP, UDP, DHCP, PPPoE, RTP, RTSP, RTCP, DNS, DDNS, NTP, FTP, UPnP, HTTP, HTTPS, SMTP, 802.1x, SNMP, SSL
	Compatibility	ONVIF (Profile S, Profile G, Profile T), API
	Client	Eyenor VMS
	Web Browser	Plug-in required live view: IE9+, Chrome 41 and below, Firefox 52 and below Plug-in free live view: Chrome 57.0+, Firefox 58.0+, Edge 16+, Safari 11+
	Edge Storage	Micro SD, up to 256 GB
	Network Storage	ANR, NAS(NFS)
	Network	10/100M Base-TX Ethernet
	Alarm I/O	N/A
	Built-in Speaker	Supported
	Alarm Light	Supported
PAN AND TILT	Pan Range	0°~345°
	Pan Speed	0.1°/s ~ 50°/s
	Pan Preset speed	50°/s
	Tilt Range	-10~110°
	Tilt Speed	0.1° ~ 40°/s
	Tilt Preset speed	40°/s
	Number of Presets	256
	Patrol	Preset patrol, Route patrol



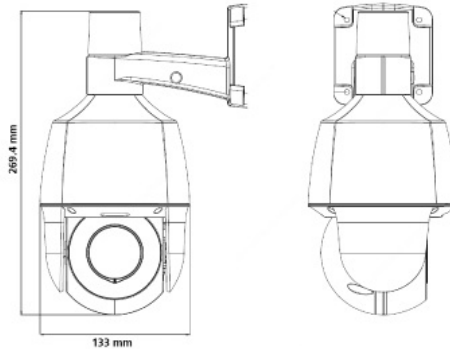
5MP IR IP H.265 PTZ DOME CAMERA



ENC-HHP8Z-50R-11

MODEL	Model No.	ENC-HHP8Z-50R-11
	Type	5MP IR IP H.265 PTZ dome camera
GENERAL	Power Supply	DC 12V±25%, PoE (IEEE 802.3af)
	Power consumption	Max 18W
	Dimensions (Ø x H)	Φ133mm*269.4mm (Φ5.2"x 10.6")
	Weight	0.87 kg (1.92lb)
	Material	Metal + plastic
	Working Environment	-20°C ~ 60°C (-4°F to 140°F), Humidity:≤95% RH(non-condensing)
	Storage Environment	-20°C ~ 60°C (-4°F to 140°F), Humidity:≤95% RH(non-condensing)
	Surge Protection	4KV
	Ingress Protection	IP66
	Vandal Resistant	N/A
Reset Button	Supported	

Dimension Unit : mm



ORDERING INFORMATION

Part Number	Description	Standard Quantity
ENC-HHP8Z-50R-11	5MP Starlight IR IP H.265 PTZ camera with 2.8~12mm Motorized lens, POE, SD card slot, Active Deterrence, WDR, Smart Analytics* and 50M IR support	1

PACKING INFORMATION

Part Number	Packing Mode	Gross weight(Kg)	Dimension(mm)
ENC-HHP8Z-50R-11	Carton Box	0.87 kg (1.92lb)	Φ133mm*269.4mm (Φ5.2"x 10.6")

