

5MP PTZ DOME CAMERA



ENC-HHP8Z-180R-96

FEATURES

- Starlight Illumination
- 44x Optical Zoom
- 16x Digital Zoom
- Smart IR up to 180 m (upgradable to 200 m)
- ONVIF Profile (S, G, T)
- Triple Stream
- Built-in Speaker, Audio and Alarm Support
- IP67



SPECIFICATION

| MODEL | Model No. | ENC-HHP8Z-180R-96 |
|------------|-----------------------------------|--|
| | Type | 5MP PTZ DOME CAMERA |
| CAMERA | Image Sensor | 1/1.8" CMOS Progressive 5.0 MegaPixel |
| | Day / Night | IR Cut Filter with Auto Switch |
| | Lens Type | Motorized Zoom Lens |
| | Focal Length | 5 ~ 220mm Lens (Optional 6mm ~ 264mm Lens) |
| | Iris Type | DC Auto Iris |
| | Angle of View (H) | 61.8° ~ 2.3° |
| | Angle of View (V) | 36.3° ~ 1.3° |
| | Aperture Range | F1.6 ~ F5.3 |
| | Optical Zoom | 44x |
| | Digital Zoom | 16x |
| | Zoom Speed | <5s |
| | Shutter | 1s to 1/100,000s |
| | Min. Illumination | Color: 0.0008 lux @ F1.6 |
| | AGC | Auto / Manual |
| | Digital Noise Reduction | 3D DNR |
| | S/N Ratio | ≥60 dB |
| | Defog | Smart Defog |
| | WDR | 140 dB |
| Smart IR | Up to 180 m (upgradable to 200 m) | |
| Laser IR | N/A | |
| Wavelength | 850 nm | |
| White LEDs | 2 | |

5MP PTZ DOME CAMERA



ENC-HHP8Z-180R-96

| MODEL | Model No. | ENC-HHP8Z-180R-96 |
|--------------------|----------------------------|--|
| | Type | 5MP PTZ DOME CAMERA |
| VIDEO | Max. Resolution | 3072x1728 |
| | Video Compression | H.265+, H.265, H.264, MJPEG |
| | Frame Rate | Main Stream: (3072x1728) @ 20fps, (2560x1440, 2304x1296) @ 30fps, (2560x1440, 2304x1296) @ 25fps, (1920x1080, 1280x960, 1280x720) @ 60fps, (1920x1080, 1280x960, 1280x720) @ 50fps Sub Stream: (704x480, 704x240, 640x360, 352x240) @ 30fps, (704x576, 704x288, 640x360, 352x288) @ 25fps Third Stream: (352x240) @ 30fps, (352x288) @ 25fps |
| | Stream Settings | i-Frame, PAL/NTSC, Frame Rate, EIS, SVC |
| | Video Bit Rate | 32 kbps ~ 16 Mbps |
| | Bitrate Type | CBR, VBR |
| | Image Settings | Brightness, Contrast, Saturation, Hue, Sharpness, Rotation/Mirror, Gain, Exposure, Day/Night |
| | White Balance | Auto, Semi Auto, Sunshine, Daylight, Warm Light, Filament, Nature Light, Lock WB, Manual |
| | Corridor Mode | N/A |
| | HLC | Supported |
| | BLC | Supported |
| | OSD | Total 5 regions |
| | OSD Type | Title, Week, Date, Time, Text with different colors and adaptable sizes (16x16, 24x24, 32x32, 48x48, 64x64, 96x96), Image overlay |
| | ROI | Up to 7 regions |
| Privacy Mask | Up to 24 regions | |
| Heatmap | Supported | |
| AUDIO | Audio Compression | G.711A, G.711U, ADPCM_D, AAC_LC |
| | Audio Bit Rate | 8 kbps ~ 48 kbps |
| | Audio I/O | 1/1 |
| | Audio Voltage | Audio input, level 5V, input impedance 1500 ohms; Audio output, level 3V, output impedance 100 ohms |
| | Built-in Mic | N/A |
| SMART | Behavior Detection | Intrusion (Perimeter), Crossline (Tripwire), Double Crossline (Double Tripwire) |
| | Intelligent Identification | Loitering, Running, Abandoned Object (Object Left), Missing Object (Object Lost), Parking |
| | Statistical Analysis | Early Warning, Face Capture, People Counting, Crowd Detection, On Duty Detection, Helmet Detection, Human & Vehicle Classification, Abnormal Video & Audio Detection |
| | Alarm Management | Motion Detection, Tampering (Masking), IP Address Conflict, Pre/Post Alarm Recording, Alarm Recording/Snapshot |
| | Alarm Notification | HTTP, FTP, SD Card & Alarm Out (Event Notification / Recording / Snapshot upload through HTTP, FTP, & SD Card) |
| | Auto Tracking | Supported |
| INTERFACE | Protocols | TCP/IP, UDP, IPv4, IPv6, ICMP, IGMP, HTTP, HTTPS, FTP, NFS, DHCP, DNS, DDNS, RTP, RTSP, RTCP, PPPoE, NTP, UPnP, SMTP (SSL/TLS), QoS (DSCP), Unicast, Multicast, Telnet, SNMP, ARP, SSL, SFTP(SSH), P2P |
| | Security | AES Video Encryption, IP Filter, User authentication (multiple privilege level), 802.1X authentication (EAP-MD5), Digest authentication, User Access Log |
| | Compatibility | ONVIF Profile (S, G, T), SDK/API/CGI |
| | Network | 1 x RJ45 10M/100M Self Adaptive Ethernet Port |
| | Alarm Interface | 8 Input / 2 Output |
| | Alarm Voltage | Input (switch type) , Output (3.3V-12V, 10 ohm) |
| | Serial Interface | 1 x RS485 |
| | BNC | Supported |
| | Edge Storage | Built-in MicroSD card slot, up to 256 GB |
| | ANR | Supported |
| | Built-in Speaker | Supported |
| | Heater | N/A |
| | Fan | Supported |
| | Cable Interface | Pig Tail |
| Remote Connection | ≤7 | |
| Client Application | EyeConnect | |
| Web Language | 16 | |
| Wiper | Supported | |

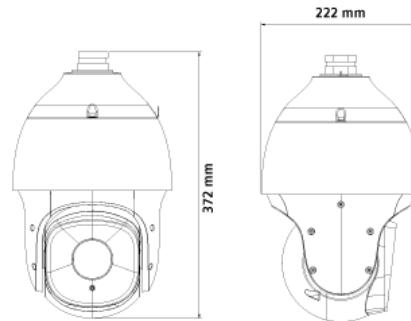
5MP PTZ DOME CAMERA



ENC-HHP8Z-180R-96

| MODEL | | ENC-HHP8Z-180R-96 |
|--------------|------------------------|---|
| Type | | 5MP PTZ DOME CAMERA |
| PAN AND TILT | Pan Range | 360° |
| | Pan Speed | Pan Manual Speed: 0.1°/s ~ 240°/s, Pan Preset Speed: 300°/s |
| | Tilt Range | -16° ~ 90° (Auto flip) |
| | Tilt Speed | Tilt Manual Speed: 0.1°/s ~ 180°/s, Tilt Preset Speed: 240°/s |
| | Preset Accuracy | ±0.4° |
| | 3D Position | Supported |
| | Cruise | 16, up to 32 presets per cruise |
| | Scan | 8 |
| | Pattern | 8, each with 600s memory or 1000 orders |
| | Number of Preset | 500 |
| | Power off Recovery | Supported |
| GENERAL | Power Supply | 24V AC |
| | Max. Power Consumption | 22 W (IR OFF), 45 W (IR ON) |
| | Working Temperature | -40 °C ~ 65 °C |
| | Working Humidity | 0-95% RH (non-condensing) |
| | Ingress Protection | IP67 |
| | Vandal Resistant | IK10 (Housing) |
| | Surge Protection | TVS6000V |
| | Reset Button | Supported |
| | Dimensions | Φ222×372 mm |
| | Net Weight | 5.5 kg |

Dimension Unit : mm



ORDERING INFORMATION

| Part Number | Description | Standard Quantity |
|-------------------|--|-------------------|
| ENC-HHP8Z-180R-96 | 5MP Starlight IR IP H.265 PTZ Dome Camera with 44X Optical Zoom, Micro SD Card Slot, Smart Analytics, WDR, Built-in Speaker and 180m (upgradable to 200m) IR Support | 1 |

PACKING INFORMATION

| Part Number | Packing Mode | Gross weight(Kg) | Dimension(mm) |
|-------------------|--------------|------------------|---------------|
| ENC-HHP8Z-180R-96 | Carton Box | 9.0 | 500×310×310 |