

# 5MP STARLIGHT IR IP H.265 MOTORIZED VANDAL DOME CAMERA



ENC-HVD8M-50R-20

## FEATURES

- Starlight Illumination
- 2.7~13.5mm Motorized zoom lens
- Smart IR Up to 50m (164 ft) IR range
- ONVIF Profile (S/G/T)
- IP67,IK10,POE



## SPECIFICATION

MODEL	Model No.	ENC-HVD8M-50R-20
	Type	5MP STARLIGHT IR IP H.265 MOTORIZED VANDAL DOME CAMERA
CAMERA	Sensor	1/2.7", 5.0 megapixel, progressive scan, CMOS
	Lens	2.7~13.5mm@F1.2, AF automatic focusing and motorized zoom lens
	Angle of View (H)	26.8°~93.1°
	Angle of View (V)	20.7°~66.0°
	Angle of View (O)	31.6°~121.0°
	Adjustment angle	Pan: 0°~355° Tilt: 0°~80° Rotate: 0°~355°
	Shutter	Auto/Manual, 1 ~ 1/100000s
	Minimum Illumination	Colour:0.002lux (F1.2, AGC ON);B/W: 0Lux with IR
	Day/Night	IR-cut filter with auto switch (ICR)
	S/N	52dB
	IR Range	Up to 50m (164 ft) IR range
	Wavelength	850nm
	IR On/Off Control	Auto/Manual
Defog	Digital Defog	
WDR	120 dB	



# 5MP STARLIGHT IR IP H.265 MOTORIZED VANDAL DOME CAMERA



ENC-HVD8M-50R-20

<b>MODEL</b>	<b>Model No.</b>	<b>ENC-HVD8M-50R-20</b>
	<b>Type</b>	5MP STARLIGHT IR IP H.265 MOTORIZED VANDAL DOME CAMERA
<b>VIDEO</b>	Max.Resolution	2592x1944
	Video Compression	H.265+, H.265, H.264, MJPEG
	Frame Rate	Main Stream: 5MP(2592*1944),Max 20fps; 4MP(2560*1440),Max 30fps; Sub Stream: 2MP (1920*1080), Max 30fps; Third Stream: D1 (720*576), Max 30fps
	Video Bit Rate	128 Kbps~16 Mbps
	OSD	Up to 8 OSDs
	Privacy Mask	Up to 8 areas(8 blacks/4 mosaics+4 blacks)
	ROI	Supported
	Motion Detection	Supported
	White Balance	Auto/Outdoor/Fine Tune/Sodium Lamp/Locked/Auto2
	Digital noise reduction	2D/3D DNR
	Smart IR	Support
	Flip	Normal/Flip Vertical/Flip Horizontal/180°/90°Clockwise/90°Anti-clockwise
	HLC	Support
	BLC	Support
<b>AUDIO</b>	Audio Compression	G.711U, G.711A
	Two-way Audio	Supported
	Suppression	Supported
	Sampling Rate	8KHZ
<b>SMART</b>	Behavior Detection	Intrusion, Crossing line, Region Entrance/Exit detection
	Statistical Analysis	Motion detection,Audio detection
	General Function	Watermark, IP Address Filtering, Tampering Alarm, Alarm input, Alarm output, Access Policy, ARP Protection, RTSP Authentication, User Authentication
<b>INTERFACE</b>	Protocols	IPv4, IGMP, ICMP, ARP, TCP, UDP, DHCP, PPPoE, RTP, RTSP, RTCP, DNS, DDNS, NTP, FTP, UPnP, HTTP, HTTPS, SMTP, 802.1x, SNMP, QoS, RTMP
	Compatible Integration	ONVIF (Profile S, Profile G, Profile T), API
	Client	Eyenor VMS
	Web Browser	Plug-in required live view: IE9+, Chrome 41 and below, Firefox 52 and below
	Edge Storage	Micro SD, up to 256 GB
	Network Storage	ANR,NAS(NFS)
	Network	1 * RJ45 10M/100M Base-TX Ethernet
	Audio I/O	1/1
	Audio Voltage	Audio cable;1 Input: impedance 35kΩ; amplitude 2V [p-p];1 output: impedance 600Ω, amplitude 2V [p-p]
	Alarm I/O	1/1
<b>GENERAL</b>	Built-in Mic	N/A
	Power	DC 12V(±25%), PoE (IEEE 802.3af);
	Power consumption	Max 10.3W
	Dimensions (Ø x H)	Φ148.0 x 111.4mm (Φ5.8" x4.4")
	Weight	0.93kg(2.05lb)
	Working Environment	-30°C ~ 60°C (-22°F ~ 140°F), Humidity: ≤95% RH (non-condensing)
	Storage Environment	-40°C ~ 70°C (-40°F ~ 158°F), Humidity: ≤95% RH (non-condensing)
	Surge Protection	6KV
Reset Button	N/A	
Ingress Protection	IP67	
Vandal Resistant	IK10	



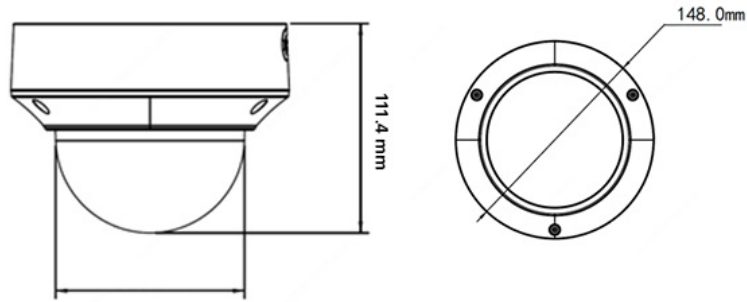
# 5MP STARLIGHT IR IP H.265 MOTORIZED VANDAL DOME CAMERA



ENC-HVD8M-50R-20

MODEL	Model No.	ENC-HVD8M-50R-20
	Type	5MP STARLIGHT IR IP H.265 MOTORIZED VANDAL DOME CAMERA

Dimension Unit : mm



## ORDERING INFORMATION

Part Number	Description	Standard Quantity
ENC-HVD8M-50R-20	5MP IR IP H.265 Compact Dome camera with 2.7~13.5mm Motorised Lens, POE, SD card slot, WDR, Smart Analytics* and 50M IR support	1

## PACKING INFORMATION

Part Number	Packing Mode	Gross weight(Kg)	Dimension(mm)
ENC-HVD8M-50R-20	Carton Box	0.93kg(2.05lb)	Φ148.0 x 111.4mm (Φ5.8" x4.4")

