

ACCESS CARD CABINET LOCK WITH UK PLUG CABLE



The Access Card Cabinet Lock from Norden is made of zinc alloy material. It is installed on the cabinet. When the IC card is swiped across the card area, green light flashes and the circle position below handle is pressed to open the electronic lock. When the electronic key is turned on, the dust cover is opened with the tool key, the electronic key is inserted and turn the handle clockwise.

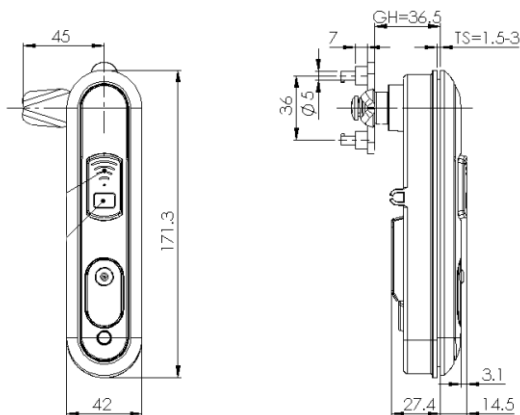
DESIGN AND MATERIALS

Material	Zinc Alloy
Type	DS899-1A
Electronic box material	ABS
Signal Input	Polysulfone
Press Plate	Pa6 + 30%GF
IP Protection	IP65
Weight	0.81 Kg

ELECTRICAL AND ENVIRONMENTAL CHARACTERISTICS

Rated voltage	DC 12V
Operating voltage	DC12V±20%
Power Consumption	3.6W
Rated Current	0.3A
Operating Temperature	-40°C ~ +65°C
Storage Temp	-40°C ~ +80°C

DRAWING



ORDERING INFORMATION

Part Number	Description
133-AL1X	Access Card Cabinet Lock with UK plug cable