

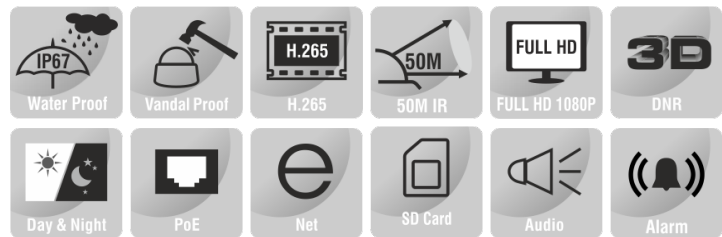
2MP MOTORIZED VANDAL DOME CAMERA



ENC-HVD5M-50R-94

FEATURES

Starlight Illumination
2.7-13.5 mm Motorized Lens
Smart IR up to 50m
ONVIF Profile (S, G, T)
Triple Stream
Audio and Alarm Support
PoE, IP67, IK10



SPECIFICATION

MODEL	Model No.	ENC-HVD5M-50R-94
	Type	2MP MOTORIZED VANDAL DOME CAMERA
CAMERA	Image Sensor	1/2.8" CMOS Progressive 2.0 MegaPixel
	Day/Night	IR Cut Filter with Auto Switch
	Lens Type	Motorized
	Focal Length	2.7-13.5 mm
	Focus	Auto / Manual
	Iris	DC Auto Iris
	Lens Mount	Φ14
	Angle of View (H)	102.8° ~ 31.3°
	Angle of View (V)	57.3°~17.6°
	Angle Adjustment	Pan 0~330°, Tilt 0~75°, Rotate 0~350°
	Aperture Range	F1.6 ~ F3.3
	Shutter	1s to 1/100,000s
	Min. Illumination	Color: 0.001 lux @ F1.6, B/W: 0 lux with IR
	AGC	Auto / Manual
	Digital Noise Reduction	3D DNR
	S/N Ratio	≥60 dB
	Defog	Smart Defog
	WDR	120 dB
Smart IR	Up to 50 m	
Wavelength	850 nm	
White LEDs	N/A	

2MP MOTORIZED VANDAL DOME CAMERA



ENC-HVD5M-50R-94

MODEL	Model No.	ENC-HVD5M-50R-94
	Type	2MP MOTORIZED VANDAL DOME CAMERA
VIDEO	Max. Resolution	1920x1080
	Video Compression	H.265+, H.265, H.264, MJPEG
	Frame Rate	Main Stream: (1920x1080, 1280x720, 704x480, 640x480) @ 30fps, (1920x1080, 1280x720, 704x576, 640x480) @ 25fps Sub Stream: (704x480, 704x240, 640x360, 352x240) @ 30fps, (704x576, 704x288, 640x360, 352x288) @ 25fps Third Stream: (704x480, 704x240, 352x240) @ 30fps, (704x576, 704x288, 352x288) @ 25fps
	Stream Settings	i-Frame, PAL/NTSC, Frame Rate (1~30FPS), EIS, SVC
	Video Bit Rate	32 kbps ~ 8 Mbps
	Bitrate Type	CBR, VBR
	Image Settings	Brightness, Contrast, Saturation, Hue, Sharpness, Rotation/Mirror, Gain, Exposure, Day/Night
	White Balance	Auto, Semi Auto, Sunshine, Daylight, Warm Light, Filament, Nature Light, Lock WB, Manual
	Corridor Mode	Supported
	HLC	Supported
	BLC	Supported
	OSD	Total 8 regions
	OSD Type	Title, Week, Date, Time, Text with different colors and adaptable sizes (16x16, 32x32, 48x48, 64x64), Image overlay
	ROI	Up to 8 regions
Privacy Mask	Up to 4 regions	
Heatmap	Supported	
AUDIO	Audio Compression	G.711A, G.711U, ADPCM_D, AAC_LC
	Audio Bit Rate	8 kbps ~ 48 kbps
	Audio I/O	1/1
	Audio Voltage	Input: Level 5V, Input Impedance 1500 ohms Output: Level 3V, Output Impedance 100 ohms
	Built-in Mic	Supported with noise cancellation
SMART	Behavior Detection	Intrusion (Perimeter), Crossline (Tripwire), Double Crossline (Double Tripwire)
	Intelligent Identification	Loitering, Running, Abandoned Object (Object Left), Missing Object (Object Lost), Parking
	Statistical Analysis	Face Detection (Capture), People Counting, Crowd Detection, On Duty Detection, Helmet Detection, Human & Vehicle Classification, Abnormal Video & Audio Detection
	Alarm Management	Motion Detection, Tampering (Masking), Input & Output Event, IP & MAC Address Conflict, Disk Alarm (Full & R/W Error), FTP Server Exception, Abnormal Voltage, Pre/Post Alarm Recording, Alarm Recording/Snapshot
INTERFACE	Protocols	TCP/IP, UDP, IPv4, IPv6, ICMP, HTTP, HTTPS, FTP, NFS, DHCP, DNS, DDNS, RTP, RTSP, RTCP, RTMP, PPPoE, NTP, UPnP, SMTP (SSL/TLS), IGMP, 802.1X, QoS (DSCP), Unicast, Multicast, ARP, SNMP, SSL, Telnet, SFTP (SSH), P2P
	Security	AES Video Encryption, IP Filter, User Authentication (Multiple Privilege Level), 802.1X Authentication (EAP-MD5), HTTPS Authentication, Digest Authentication, User Access Log
	Compatibility	ONVIF Profile (S, G, T), SDK/API/CGI
	Network	1 x RJ45 10M/100M Self Adaptive Ethernet Port
	Alarm Interface	2 Input / 1 Output
	Alarm Voltage	Input (switch type) , Output (3.3V-12V, 10 ohm)
	Serial Interface	1xRS485
	USB	N/A
	Edge Storage	MicroSD card slot, up to 512 GB
	ANR	Supported
	Cable Interface	Pig Tail
Remote Connection	≤8	
Client Application	EyeConnect	
Web Language	15	

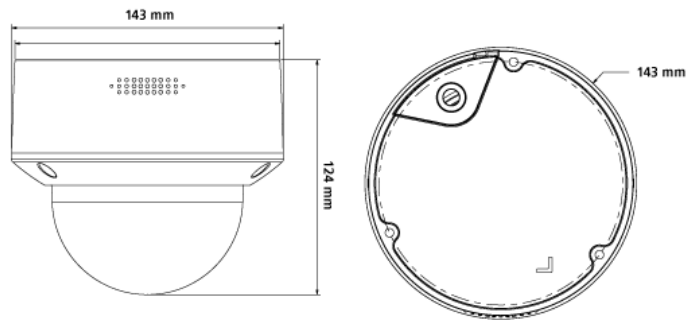
2MP MOTORIZED VANDAL DOME CAMERA



ENC-HVD5M-50R-94

MODEL	Model No.	ENC-HVD5M-50R-94
	Type	2MP MOTORIZED VANDAL DOME CAMERA
GENERAL	Power Supply	12V DC, PoE (IEEE 802.3af)
	Max. Power Consumption	7.5 W (12V DC), 9 W (PoE)
	Working Temperature	-35 °C ~ 65 °C
	Working Humidity	0-95% RH (non-condensing)
	Ingress Protection	IP67
	Vandal Resistant	IK10
	Extra corrosion resistance coating	Supported (Optional)
	Surge Protection	TVS4000V
	Reset Button	Supported
	Dimensions	Φ143×124 mm
	Net Weight	0.95 Kg

Dimension Unit : mm



ORDERING INFORMATION

Part Number	Description	Standard Quantity
ENC-HVD5M-50R-94	2MP Starlight IR IP Vandal Proof Dome Camera with 2.7-13.5mm Motorized Lens, PoE, WDR, SD card slot, Built-in Mic, Smart Analytics and 50m IR Support	1

PACKING INFORMATION

Part Number	Packing Mode	Gross weight(Kg)	Dimension(mm)
ENC-HVD5M-50R-94	Carton Box	1.25	245×175×164