

5MP PTZ DOME CAMERA



ENC-HHP8Z-180R-96

FEATURES

- Starlight Illumination
- 44X Optical Zoom
- 16X Digital Zoom
- Smart IR up to 180 m (Upgradable to 200 m)
- ONVIF Profile (S, G, T)
- Triple Stream
- Built-in Speaker, Audio and Alarm Support
- IP67



SPECIFICATION

MODEL	Model No.	ENC-HHP8Z-180R-96
	Type	5MP PTZ DOME CAMERA
CAMERA	Image Sensor	1/1.8" CMOS Progressive 5.0 MegaPixel
	Day / Night	IR Cut Filter with Auto Switch
	Lens Type	Motorized Zoom Lens
	Focal Length	5 ~ 220mm Lens (Optional 6mm ~ 264mm Lens)
	Iris Type	DC Auto Iris
	Angle of View (H)	61.8° ~ 2.3°
	Angle of View (V)	36.3° ~ 1.3°
	Aperture Range	F1.6 ~ F5.3
	Optical Zoom	44X
	Digital Zoom	16X
	Zoom Speed	<5s
	Shutter	1s to 1/100,000s
	Min. Illumination	Color: 0.0008 lux @ F1.6
	AGC	Auto / Manual
	Digital Noise Reduction	3D DNR
	S/N Ratio	≥60 dB
	Defog	Smart Defog
WDR	140 dB	
Smart IR	Up to 180 m (upgradable to 200 m)	
Wavelength	850 nm	
White LEDs	2	
White Light Distance	30 m	

5MP PTZ DOME CAMERA



ENC-HHP8Z-180R-96

MODEL		ENC-HHP8Z-180R-96
Type		5MP PTZ DOME CAMERA
VIDEO	Max. Resolution	3072x1728
	Video Compression	H.265+, H.265, H.264, MJPEG
	Frame Rate	Main Stream: (3072x1728) @ 20fps, (2560x1440, 2304x1296) @ 30fps, (2560x1440, 2304x1296) @ 25fps, (1920x1080, 1280x960, 1280x720) @ 60fps, (1920x1080, 1280x960, 1280x720) @ 50fps Sub Stream: (704x480, 704x240, 640x360, 352x240) @ 30fps, (704x576, 704x288, 640x360, 352x288) @ 25fps Third Stream: (352x240) @ 30fps, (352x288) @ 25fps
	Stream Settings	i-Frame, PAL/NTSC, Frame Rate, EIS, SVC
	Video Bit Rate	32 kbps ~ 16 Mbps
	Bitrate Type	CBR, VBR
	Image Settings	Brightness, Contrast, Saturation, Hue, Sharpness, Rotation/Mirror, Gain, Exposure, Day/Night
	White Balance	Auto, Semi Auto, Sunshine, Daylight, Warm Light, Filament, Nature Light, Lock WB, Manual
	HLC	Supported
	BLC	Supported
	OSD	Total 5 regions
	OSD Type	Title, Week, Date, Time, Text with different colors and adaptable sizes (16x16, 24x24, 32x32, 48x48, 64x64, 96x96), Image overlay
	ROI	Up to 7 regions
	Privacy Mask	Up to 24 regions
Heatmap	Supported	
AUDIO	Audio Compression	G.711A, G.711U, ADPCM_D, AAC_LC
	Audio Bit Rate	8 kbps ~ 48 kbps
	Audio I/O	1/1
	Audio Voltage	Audio input, level 5V, input impedance 1500 ohms; Audio output, level 3V, output impedance 100 ohms
	Built-in Mic	N/A
SMART	Behavior Detection	Intrusion (Perimeter), Crossline (Tripwire), Double Crossline (Double Tripwire)
	Intelligent Identification	Loitering, Running, Abandoned Object (Object Left), Missing Object (Object Lost), Parking
	Statistical Analysis	Early Warning, Face Capture, People Counting, Crowd Detection, On Duty Detection, Helmet Detection, Human & Vehicle Classification, Abnormal Video & Audio Detection
	Alarm Management	Motion Detection, Tampering (Masking), IP Address Conflict, Pre/Post Alarm Recording, Alarm Recording/Snapshot
	Alarm Notification	HTTP, FTP, SD Card & Alarm Out (Event Notification / Recording / Snapshot upload through HTTP, FTP, & SD Card)
	Auto Tracking	Supported
INTERFACE	Protocols	TCP/IP, UDP, IPv4, IPv6, ICMP, IGMP, HTTP, HTTPS, FTP, NFS, DHCP, DNS, DDNS, RTP, RTSP, RTCP, PPPoE, NTP, UPnP, SMTP (SSL/TLS), QoS (DSCP), Unicast, Multicast, Telnet, SNMP, ARP, SSL, SFTP(SSH), P2P
	Security	AES Video Encryption, IP Filter, User authentication (multiple privilege level), 802.1X authentication (EAP-MD5), Digest authentication, User Access Log
	Compatibility	ONVIF Profile (S, G, T), SDK/API/CGI
	Network	1 x RJ45 10M/100M Self Adaptive Ethernet Port
	Alarm Interface	8 Input / 2 Output
	Alarm Voltage	Input (switch type) , Output (3.3V-12V, 10 ohm)
	Serial Interface	1 x RS485
	BNC	Supported
	Edge Storage	Built-in MicroSD card slot, up to 256 GB
	ANR	Supported
	Built-in Speaker	Supported
	Heater	N/A
	Fan	Supported
	Cable Interface	Pig Tail
Remote Connection	≤8	
Client Application	EyeConnect	
Web Language	15	
Wiper	Supported	

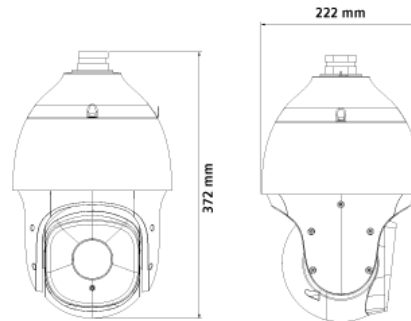
5MP PTZ DOME CAMERA



ENC-HHP8Z-180R-96

MODEL	Model No.	ENC-HHP8Z-180R-96
	Type	5MP PTZ DOME CAMERA
PAN AND TILT	Pan Range	360°
	Pan Speed	Pan Manual Speed: 0.1°/s ~ 240°/s, Pan Preset Speed: 300°/s
	Tilt Range	-16° ~ 90° (Auto flip)
	Tilt Speed	Tilt Manual Speed: 0.1°/s ~ 180°/s, Tilt Preset Speed: 240°/s
	Preset Accuracy	±0.4°
	3D Position	Supported
	Cruise	16, up to 32 presets per cruise
	Scan	8
	Pattern	8, each with 600s memory or 1000 orders
	Number of Preset	500
	Power off Recovery	Supported
GENERAL	Power Supply	24V AC
	Max. Power Consumption	22 W (IR OFF), 45 W (IR ON)
	Working Temperature	-40 °C ~ 65 °C
	Working Humidity	0-95% RH (non-condensing)
	Ingress Protection	IP67
	Vandal Resistant	IK10 (Housing)
	Surge Protection	TVS6000V
	Reset Button	Supported
	Dimensions	Φ222×372 mm
	Net Weight	5.5 kg

Dimension Unit : mm



ORDERING INFORMATION

Part Number	Description	Standard Quantity
ENC-HHP8Z-180R-96	5MP Starlight IR IP H.265 PTZ Dome Camera with 44X Optical Zoom, Micro SD Card Slot, Smart Analytics, WDR, Built-in Speaker and 180m (upgradable to 200m) IR Support	1

PACKING INFORMATION

Part Number	Packing Mode	Gross weight(Kg)	Dimension(mm)
ENC-HHP8Z-180R-96	Carton Box	9.0	500×310×310