

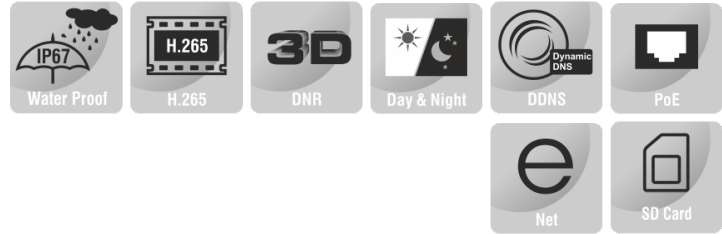
5MP COMPACT FIXED DOME CAMERA



ENC-HCD8F-00R-15

FEATURES

DawnStalker Series
2.8 mm (Optional 4mm) Fixed Lens
Built-in White Light
ONVIF Profile (S,G,T)
Built-in Mic
PoE, IP67



SPECIFICATION

MODEL	Model No.	ENC-HCD8F-00R-15
	Type	5MP COMPACT FIXED DOME CAMERA
CAMERA	Image Sensor	1/2.7" CMOS Progressive 5.0 MegaPixel
	Day/Night	IR Cut Filter with Auto Switch
	Lens Type	Fixed
	Focal Length	2.8mm / 4 mm
	Detection distance	63.0 m (2.8mm Lens), 90.0m (4mm Lens)
	Observation Distance	25.2 m (2.8 mm Lens), 36.0 (4mm Lens)
	Recognition Distance	12.6 m (2.8mm Lens), 18.0 m (4mm Lens)
	Identification Distance	6.3 m (2.8 mm Lens), 9.0 m (4mm Lens)
	Angle of View (H)	102.0° (2.8mm) / 80.2° (4mm)
	Angle of View (V)	53.4° (2.8mm) / 43.0° (4mm)
	Angle Adjustment	Pan 3° ~ 360°, Tilt 0~80°, Rotate 3° ~ 360°
	Aperture Range	F1.0
	Shutter	1s to 1/100,000s
	Min. Illumination	Color: 0.001 lux @ F1.0, B/W: 0 lux with IR
	AGC	Auto / Manual
	Digital Noise Reduction	3D DNR
	S/N Ratio	56 dB
	Defog	Smart Defog
WDR	120 dB	
Wavelength	850nm	
White Light	Up to 30m	

None

★Product specification and availability are subject to change without notice.

5MP COMPACT FIXED DOME CAMERA



ENC-HCD8F-00R-15

MODEL	Model No.	ENC-HCD8F-00R-15
	Type	5MP COMPACT FIXED DOME CAMERA
VIDEO	Max.Resolution	2880x1620
	Video Compression	H.265+, H.265, H.264, MJPEG
	Frame Rate	Main Stream: 5MP (2880*1620) , 4MP (2560*1440) , 3MP (2304*1296) @ 25fps; 2MP (1920*1080 @ 30fps; Sub Stream: 720P (1280*720), D1 (720*576), 640*360, 2CIF (704*288), CIF (352*288) @ 30fps; Third Stream: D1 (720*576), 640*360, 2CIF (704*288), CIF (352*288) @ 30fps;
	Video Bit Rate	128 kbps ~16 Mbps
	Bitrate Type	CBR, VBR
	White Balance	Auto/Outdoor/Fine Tune/Sodium Lamp/Locked/Auto2
	Corridor Mode	Supported
	HLC	Supported
	BLC	Supported
	OSD	Up to 8 OSDs
	ROI	Up to 8 areas
Privacy Mask	Up to 4 regions	
AUDIO	Audio Compression	G.711
	Suppression	Supported
	Sampling Rate	8KHZ
	Built-in Mic	Supported
SMART	Smart intrusion Prevention	Cross Line, Intrusion, Enter/Exit Area detection;
	Statistical Analysis	Tampering alarm, Motion detection,Audio detection
	General function	Watermark, IP Address Filtering, Tampering Alarm, Access Policy, ARP Protection, RTSP Authentication, User Authentication
INTERFACE	Protocols	IPv4, IGMP, ICMP, ARP, TCP, UDP, DHCP, PPPoE, RTP, RTSP, RTCP, DNS, DDNS, NTP, FTP, UPnP, HTTP, HTTPS, SMTP, 802.1x, SNMP, QoS
	Compatibility	ONVIF (Profile S,G,T), API
	Network	1 x RJ45 10M/100M Self Adaptive Ethernet Port
	Audio	N/A
	Alarm Interface	N/A
	Edge Storage	Built-in MicroSD card slot, up to 256 GB
	ANR	Supported
Built-in Speaker	N/A	

None

★Product specification and availability are subject to change without notice.

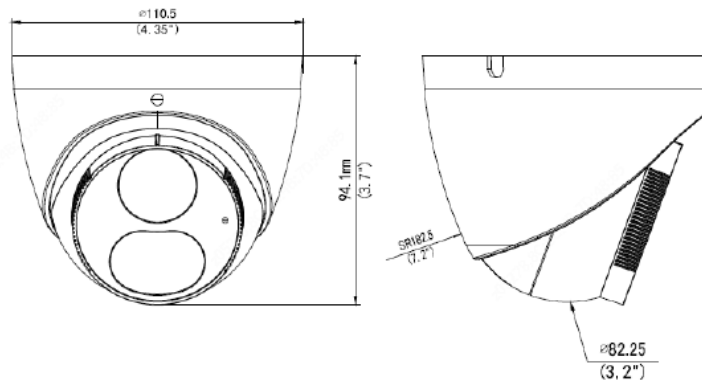
5MP COMPACT FIXED DOME CAMERA



ENC-HCD8F-00R-15

MODEL	Model No.	ENC-HCD8F-00R-15
	Type	5MP COMPACT FIXED DOME CAMERA
GENERAL	Power Supply	DC 12V, PoE (IEEE 802.3af)
	Power Consumption	Max 7.5W
	Working Environment	-30°C ~ 60°C , Humidity: ≤95% RH (non-condensing)
	Storage Environment	-30°C ~ 60°C , Humidity: ≤95% RH (non-condensing)
	Surge Protection	2KV
	Ingress Protection	IP67
	Vandal Resistant	N/A
	Surge Protection	Supported
	Dimensions	Φ110.5 x 94.1 mm
	Weight	0.44 Kg

Dimension Unit : mm



ORDERING INFORMATION

Part Number	Description	Standard Quantity
ENC-HCD8F-00R-15	5MP DawnStalker IP H.265 Compact Dome camera with 2.8mm(Optional 4mm)Fixed Lens, PoE, SD card slot, WDR, Built in Mic, Smart Analytics* and 30m White Light Support	1

PACKING INFORMATION

Part Number	Packing Mode	Gross weight(Kg)	Dimension(mm)
ENC-HCD8F-00R-15	Carton Box	0.44	Φ110.5 x 94.1

None

★Product specification and availability are subject to change without notice.