

2MP PTZ DOME CAMERA



ENC-HHP5Z-150R-92

FEATURES

33X Optical Zoom
 16X Digital Zoom
 Smart IR up to 150m(upgradable to 200m)
 ONVIF Profile (S, G, T, M)
 Triple Stream
 Audio and Alarm Support
 PoE+, IP67



SPECIFICATION

MODEL	Model No.	ENC-HHP5Z-150R-92
	Type	2MP PTZ DOME CAMERA
CAMERA	Image Sensor	1/2.8" CMOS Progressive 2.0 MegaPixel
	Day / Night	IR Cut Filter with Auto Switch
	Lens Type	Motorized Zoom Lens
	Focal Length	4.5 ~ 148.5mm Lens (Optional 4.3 ~ 141.9mm Lens)
	Focus	Auto / Semi Auto / Manual
	Iris Type	DC Auto Iris
	Angle of View (H)	60.0° ~ 2.3°
	Angle of View (V)	34.4° ~ 1.5°
	Angle of View (D)	69.1° ~ 2.7°
	Aperture Range	F1.5 ~ F4.3
	Optical Zoom	33X
	Digital Zoom	16X
	Zoom Speed	<4s
	Shutter	1s to 1/100,000s
	Min. Illumination	Color: 0.001 lux @ F1.5, B/W: 0 lux with IR
	AGC	Auto / Manual
	Digital Noise Reduction	3D DNR
S/N Ratio	≥60 dB	
Defog	Smart Defog	
WDR	140 dB	
Smart IR	Up to 150m (upgradable to 200m)	
Laser	N/A	
Wavelength	850 nm	
White LEDs	N/A	

2MP PTZ DOME CAMERA



ENC-HHP5Z-150R-92

MODEL		ENC-HHP5Z-150R-92
Type		2MP PTZ DOME CAMERA
VIDEO	Max. Resolution	1920x1080
	Video Compression	H.265+, H.265, H.264, MJPEG
	Frame Rate	Main Stream: (1920x1080, 1280x960, 1280x720, 704x480, 640x480) @ 30fps, (1920x1080, 1280x960, 1280x720, 704x576, 640x480) @ 25fps Sub Stream: (704x480, 704x240, 640x360, 352x240) @ 30fps, (704x576, 704x288, 640x360, 352x288) @ 25fps Third Stream: (1920x1080, 1280x960, 1280x720, 704x480, 704x240, 640x480, 352x240) @ 30fps, (1920x1080, 1280x960, 1280x720, 704x576, 704x288, 640x480, 352x288) @ 25fps
	Stream Settings	i-Frame, PAL/NTSC, Frame Rate, EIS, SVC
	Video Bit Rate	32 kbps ~ 16 Mbps
	Bitrate Type	CBR, VBR
	Image Settings	Brightness, Contrast, Saturation, Hue, Sharpness, Rotation/Mirror, Gain, Exposure, Day & Night (Automatic, Color, Mono)
	White Balance	Auto, Semi Auto, Sunshine, Daylight, Warm Light, Filament, Nature Light, Lock WB, Manual
	Corridor Mode	N/A
	HLC	Supported
	BLC	Supported
	OSD	Total 5 regions
	OSD Type	Title, Week, Date, Time, Text with different colors and adaptable sizes (16x16, 24x24, 32x32, 48x48, 64x64), Image overlay
	ROI	Up to 7 regions
	Privacy Mask	Up to 24 regions
Heatmap	Supported	
AUDIO	Audio Compression	G.711A, G.711U, ADPCM_D, AAC_LC
	Audio Bit Rate	8 kbps ~ 48 kbps
	Audio I/O	1/1
	Audio Voltage	Audio input, level 5V, input impedance 1500 ohms; Audio output, level 3V, output impedance 100 ohms
	Built-in Mic	N/A
SMART	Behavior Detection	Intrusion (Perimeter), Crossline (Tripwire), Double crossline (Double Tripwire)
	Intelligent Identification	Loitering, Abandoned object (Object Left), Missing Object(Object Lost)
	Statistical Analysis	Face Capture, People Counting, Crowd Detection, On Duty Detection, Helmet Detection, Abnormal Video & Audio Detection, Parking, Running
	Alarm Management	Motion Detection, Tampering (Masking), Input & Output Event, Network Alarm, Disk Alarm, Pre/Post Alarm Recording, Alarm Recording/Snapshot, FTP Server Exception
	Alarm Notification	E-mail, HTTP, FTP, SD Card & Alarm Out (Event Notification / Recording / Snapshot upload through E-mail, HTTP, FTP, & SD Card)
	Auto Tracking	Supported
INTERFACE	Protocols	TCP/IP, UDP, IPv4, IPv6, ICMP, HTTP, HTTPS, FTP, SFTP, NFS, DHCP, DNS, DDNS, RTP, RTCP, RTSP, RTMP, PPPoE, NTP, UPnP, SMTP, IGMP, QoS(DSCP), ARP, 802.1x, Unicast, Multicast, SNMP (V1,V2,V3), SSL, P2P, SMB/CIFS, SSH
	Security	AES Video Encryption, IP Filter, User authentication (multiple privilege level), 802.1X authentication (EAP-MD5), Digest authentication, HTTPS encryption, User Access Log
	Compatibility	ONVIF Profile (S, G, T, M), SDK/API/CGI
	Network	1 x RJ45 10M/100M Self Adaptive Ethernet Port
	Alarm Interface	1 Input / 1 Output
	Alarm Voltage	Input (switch type) , Output (3.3V-12V, 10 ohm)
	Edge Storage	Built-in MicroSD card slot, up to 512 GB
	ANR	Supported
	Heater	Supported (Optional)
	Fan	Supported
	Cable Interface	Pig Tail
	Remote Connection	≤7
Client Application	EyeConnect	
Web Language	15	

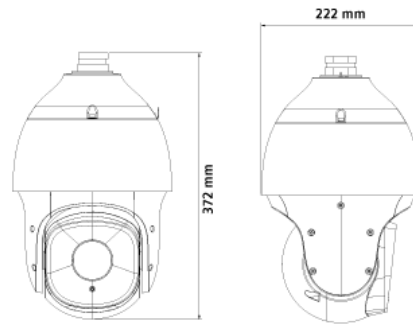
2MP PTZ DOME CAMERA



ENC-HHP5Z-150R-92

MODEL		ENC-HHP5Z-150R-92
Type		2MP PTZ DOME CAMERA
PAN AND TILT	Pan Range	360°
	Pan Speed	Pan Manual Speed: 0.1°/s ~ 240°/s, Pan Preset Speed: 300°/s
	Tilt Range	-16° ~ 90° (Auto flip)
	Tilt Speed	Tilt Manual Speed: 0.1°/s ~ 180°/s, Tilt Preset Speed: 240°/s
	Preset Accuracy	±0.4°
	3D Position	Supported
	Cruise	16, up to 32 presets per cruise
	Scan	8
	Pattern	8, each with 600s memory or 1000 orders
	Number of preset	500
	Power off Recovery	Supported
	GENERAL	Power Supply
Max. Power Consumption		14 W (IR OFF), 24 W (IR ON)
Working Temperature		-40 °C ~ 70 °C
Working Humidity		0-95% RH (non-condensing)
Ingress Protection		IP67
Vandal Resistant		IK10 (Housing)
Extra corrosion resistance coating		Supported (Optional)
Surge Protection		TVS6000V
Reset Button		Supported
Accessories		Adaptor (included), Wall Mount Bracket (included)
Optional Accessories		Pole Mount Bracket, Corner Bracket, Connector, Junction Box
Dimensions	Φ222×372 mm	
Net Weight	5.3 kg	

Dimension Unit : mm



ORDERING INFORMATION

Part Number	Description	Standard Quantity
ENC-HHP5Z-150R-92	2MP Starlight IR IP H.265 PTZ Dome Camera with 33X Optical Zoom, PoE+, MicroSD Card Slot, Smart Analytics, WDR and 150m(upgradable to 200m) IR Support	1
ENB-BTPW66	Eyenor Wall Mount Bracket for PTZ Camera (Included in Device Package)	1
ENB-BTPH66	Eyenor Outer Corner Bracket for PTZ Camera	1
ENB-BTPV66	Eyenor Pole Mount Bracket for PTZ Camera	1
ENB-BTPD66	Eyenor Connector for PTZ Camera	1

2MP PTZ DOME CAMERA



ENC-HHP5Z-150R-92

ENB-BTPJ66	Eyenor Junction Box for PTZ Camera	1
------------	------------------------------------	---

2MP PTZ DOME CAMERA



ENC-HHP5Z-150R-92

PACKING INFORMATION

Part Number	Packing Mode	Gross weight(Kg)	Dimension(mm)
ENC-HHP5Z-150R-92	Carton Box	8.0	310x310x500