

WALL MOUNT BRACKET FOR PTZ CAMERA



ENB-BZPW68

FEATURES

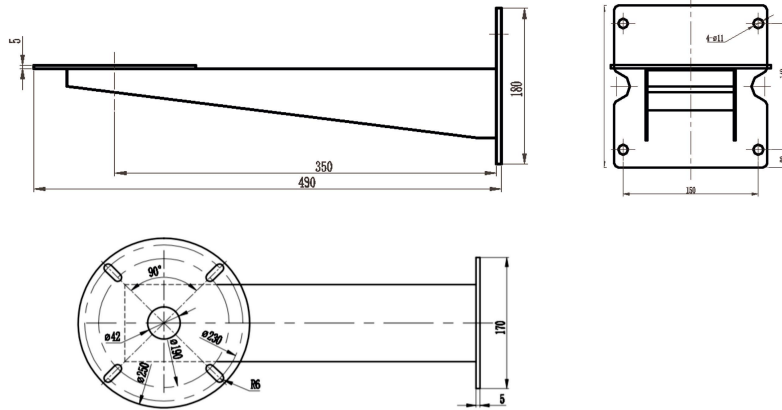
- 304/316L Stainless Steel Construction
- Max. Load Support up to 100Kg
- Wall Mount Bracket for Explosion/Corrosion Proof Camera



SPECIFICATION

MODEL	Model No.	ENB-BZPW68
	Type	WALL MOUNT BRACKET FOR PTZ CAMERA
GENERAL	Construction	304/316L Stainless Steel
	Max. Load Support	100 Kg
	Dimensions	490 x 220 x 180 mm
	Weight	6.5 Kg

Dimension Unit : mm



ORDERING INFORMATION

Part Number	Description	Standard Quantity
ENB-BZPW68	Wall Mount Bracket for Eyenor Explosion / Corrosion Proof PTZ Camera	1

PACKING INFORMATION

Part Number	Packing Mode	Gross weight(Kg)	Dimension(mm)
ENB-BZPW68	Carton Box	-	-