

CORNER MOUNT BRACKET FOR BULLET CAMERA



ENB-BZUH68

FEATURES

304 / 316L Stainless Steel Construction

Max. Load Support up to 100Kg

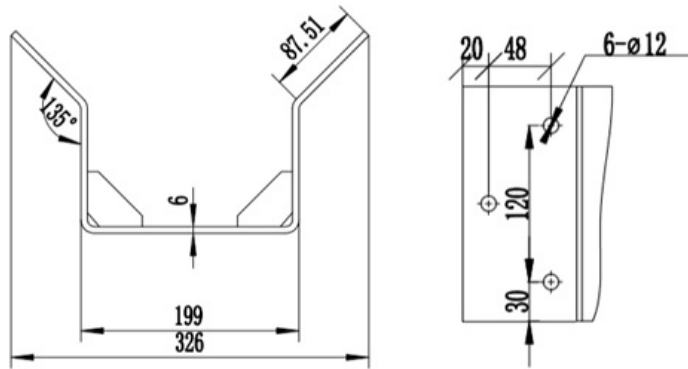
Corner Mount Bracket for Explosion / Corrosion Proof Camera



SPECIFICATION

MODEL	Model No.	ENB-BZUH68
	Type	CORNER MOUNT BRACKET FOR BULLET CAMERA
GENERAL	Construction	304 / 316L Stainless Steel
	Max. Load Support	100 Kg
	Dimensions	326 x 184 x 180 mm
	Weight	5.4 Kg

Dimension Unit : mm



ORDERING INFORMATION

Part Number	Description	Standard Quantity
ENB-BZUH68	Corner Mount Bracket for Eyenor Explosion / Corrosion Proof Bullet Camera	1

PACKING INFORMATION

Part Number	Packing Mode	Gross weight(Kg)	Dimension(mm)
ENB-BZUH68	Carton Box	-	-