

DIN RAIL ADAPTOR

The DIN Rail Adaptor from Norden supports shielded cabling. It is used for mounting on Din-rail TH35, The Cat.6A EA Shielded adaptor supports 10G cabling and 4PPoE compliant.



FEATURES

- Cat.6A/Class EA Screened Inline Coupler, RJ45 F/F
- 1 DU (→ 18 mm) width (DIN 43880)
- Side-by-side mountable
- With earthing spring
- 4PPoE compliant
- Supplied with Dust Cover

DESIGN & MATERIALS

Adaptor Shutter	HB Polypropylene
Frame	Polycarbonate Fire -Retardant
Overall Keystone Shielding	Zinc Alloy
IDC Contact	Phosphor Bronze, 50u Gold Plating
Mounting Style	Din-Rail
Outlet Style	RJ 45
Degree of Protection	IP20
Colour	RAL 7035

ELECTRICAL & MECHANICAL DATA

Current Rating	1.5A
Dielectric Withstanding Voltage	1000 VDC
Insulation Resistance	500 M Ω Min
Contact Resistance	200 m Ω Max
Temperature	- 20°C to 50°C
Durability	750 mechanical cycles

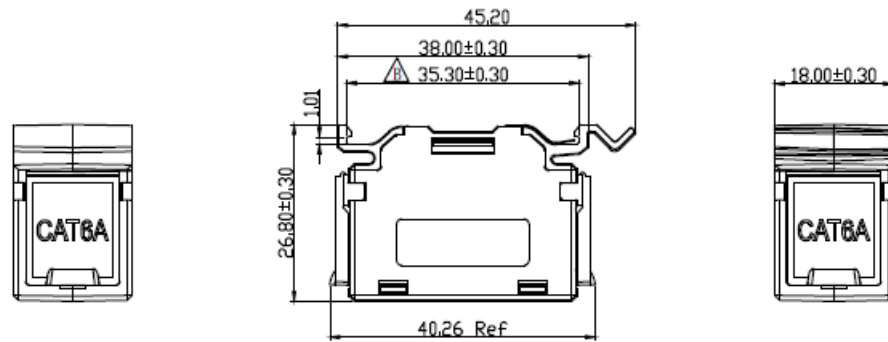
STANDARDS

Standards	DIN 43880
Flammability rating	UL 94V-0



DIN RAIL ADAPTOR

DRAWING



ORDERING INFORMATION

Part Number	Description	Dimensions (mm)
280-DA01X	01 Port Shielded Din-Rail Adaptor	26.80x18.00x45.20