

IP Based Paging Microphone with Touch Screen



DESCRIPTION

The NVS-IP100003PM is a IP Based Paging Microphone with Touch Screen. It is a network high-fidelity audio intercom paging microphone based on TCP/IP, SIP, UDP and other transmission protocols. It can carry out control, paging, and intercom functions. It possesses the high stability of conventional paging stations, steady and dependable operation, and low failure rate characteristics. Intelligent control lies at the basis of the architecture for signal digital transmission.

FEATURES

- ⊙ 7" high-definition display
- ⊙ Capacitive touch screen
- ⊙ Built-in digital audio processor, full duplex and hands-free audio intercom
- ⊙ Support of initiating and receiving call without server relies
- ⊙ Support standard SIP protocol for easy integration with mainstream SIP PBX(Yeastar, Asterisk, Cisco etc)
- ⊙ Support online viewing of the working status of other terminals
- ⊙ Support self-defined ringtone of incoming call and broadcast
- ⊙ Support incoming/outgoing call record and query function

Specifications	
Model	NVS-IP100003PM
Frequency Response	40Hz-18KHz
Signal to Noise Ratio	>82dB
Built-in Speaker	1.5W, 4Ω
Audio Codec	MP3, PCM, ADPCM
Audio Sampling & Bit Rate	8kHz-44.1kHz, 16 bit, 8kbps-320kbps
Network Interface	10BASE-T/100BASE-TX RJ45
Network Protocol	TCP/IP, UDP, ARP, ICMP, IGMP, HTTP, SIP
Configuration Method	Web Interface/Device Configuration Tool

IP Based Paging Microphone with Touch Screen

Display Screen	7" (1280x800); Capacitive Touch Screen
CPU	4-core ARM
RAM	1GB
Memory	4GB
Front Panel Material	Aluminium Alloy
Housing Material	ABS
Operating Humidity	≤90% RH non-condensing
Operating Temperature	0°C~+45°C(32°F~113°F)
Power Supply	DC 12V, 1.5A
Standby Power Consumption	≤10W
Weight	0.75Kg
Dimension	183.9x169x58.4mm

FRONT PANEL



1. Rods Socket: Plug the microphone rods to collect sound
2. Speaker: Restores the remote and local sound
3. Touch Screen

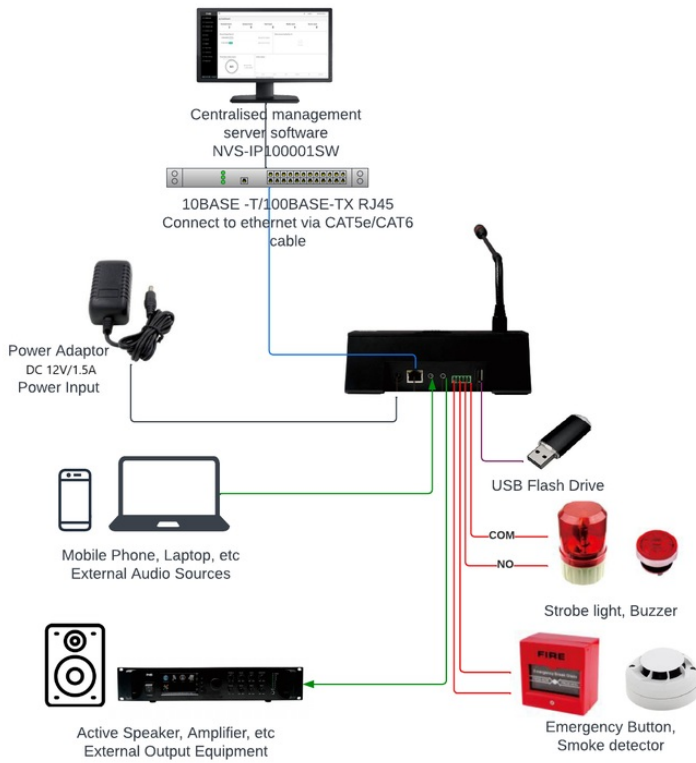
REAR PANEL



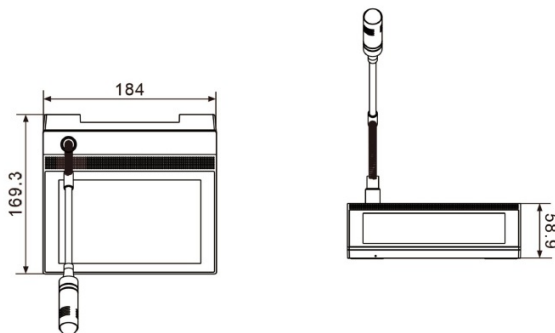
1. Power Input Port: Connect with **DC 12V/1.5A** power adaptor
2. Network Port: To connect with Ethernet switch
3. Audio Input Port: To connect with mobile phone or laptop, etc
4. Audio Output Port: To connect with active speaker or amplifier
5. Relay Input Port: To connect with emergency button, etc
6. Relay Output Port: To connect with strobe light, buzzer etc.
7. USB Port: Store the audio/txt file for broadcast

IP Based Paging Microphone with Touch Screen

CONNECTION DIAGRAM



DIMENSION



ORDERING INFORMATION

Part Number	Description	Standard Quantity
NVS-IP100003PM	IP Based Paging Microphone with Touch Screen	01