

IP/SIP Ceiling Speaker



DESCRIPTION

The NVS-IP100017SP is a SIP compliant and multicast capable PoE network audio device for public address and notification. It supports common network protocols for easy integration with SIP compatible VOIP system. The speaker can be configured from user friendly browser interface. The speaker comes with features like automatic volume control, fault detection etc. It can be configured for playing scheduled tasks from server.

FEATURES

- ◉ Employs an industrial-grade, fast dual-core (ARM+DSP) CPU for increased processing capability
- ◉ Features crystal-clear voice paging with both broadband (G.722) and narrowband (G.711a/u) encoding options
- ◉ Supports receiving paging from SIP phones through 10 dedicated multicast addresses
- ◉ Offers a multicast scalability feature and efficiently saving SIP account resources
- ◉ Fully compliant with standard SIP protocols for seamless integration with top SIP PBX systems like Asterisk, Cisco, and Yeastar
- ◉ Facilitates background music, emergency paging and alarm signals from the NORDEN management system
- ◉ Features dynamic volume control that automatically adjusts based on ambient noise
- ◉ Offers flexible deployment with PoE or PoE+ Interface support
- ◉ Equipped with online upgrading capabilities and remote management for continuous system improvement

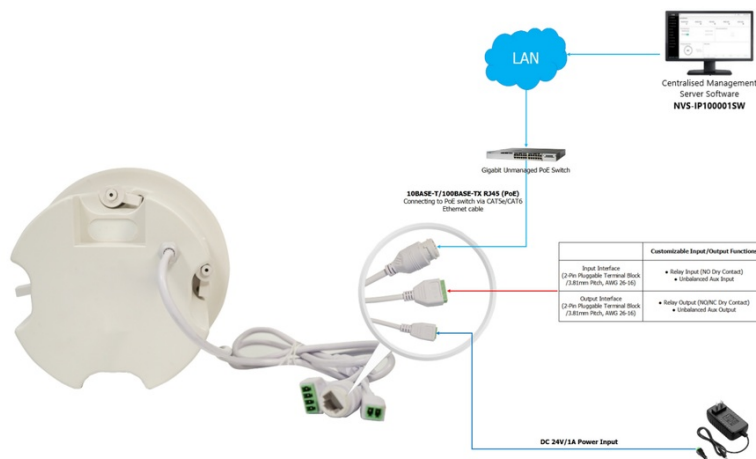
| Specifications | |
|---------------------------|--|
| Model | NVS-IP100017SP |
| Power Supply | 24V/1A, PoE (IEEE 802.3af), PoE+ (IEEE802.3at) |
| Standby Power Consumption | ≤3W |
| Rated Power Output | 20W (at DC 24V/1A powered) 20W (at PoE+ powered) 15W(at PoE Powered) |
| Audio codec | G.711A-law, G.711μ-law, G.722 |
| Sensitivity (1W, 1m) | 88dB±3dB |
| Maximum SPL (1m) | 97dB±3dB |
| Signal to Noise ratio | ≥80dB |
| Audio Sampling & Bit Rate | 8kHz~44.1kHz, 16bit, 8kbps~320kbps |
| Frequency response | 100Hz~18KHz |
| Network Interface | 10BASE-T/100BASE-TX RJ45 |
| Network Protocols | SIP (RFC3261),FTP,HTTP,TCP/IP,UDP,ARP,ICMP,IGMP |

NVS-IP100017SP

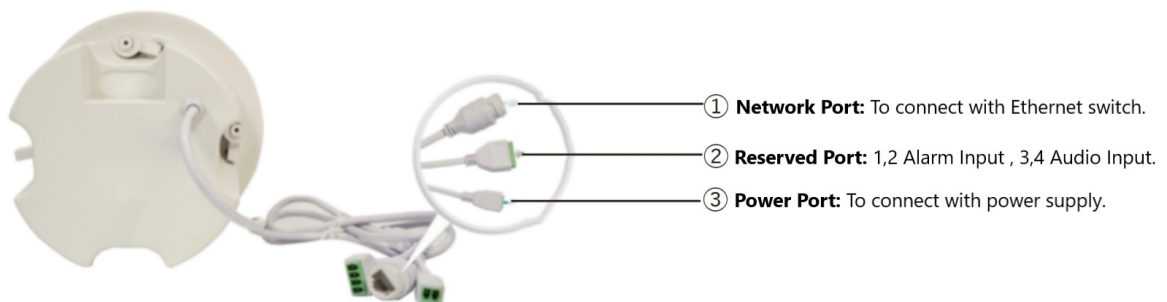
IP/SIP Ceiling Speaker

| | |
|--------------------------|---------------------------------|
| Configuration Method | Web Interface or DevConfig Tool |
| Mounting Method | Ceiling Mount |
| Installation Environment | Dry Indoor Locations Only |
| Operating Temperature | -20°C~+50°C (4°F~122°F) |
| Operating Humidity | 10%~90% RH (Non-Condensing) |
| Driver Size | 5 Inch Coaxial |
| Body Material | ABS Composite Plastic |
| Grille material | Steel |
| Body Colour | Off white |
| Product Dimensions | Ø213 x 165 mm |
| Product Weight | 1.4kg |
| Packaging | Carton Box |
| Packed Dimension | 260x250x240 mm |
| Packed Weight | 2.4 Kg |

CONNECTION DIAGRAM



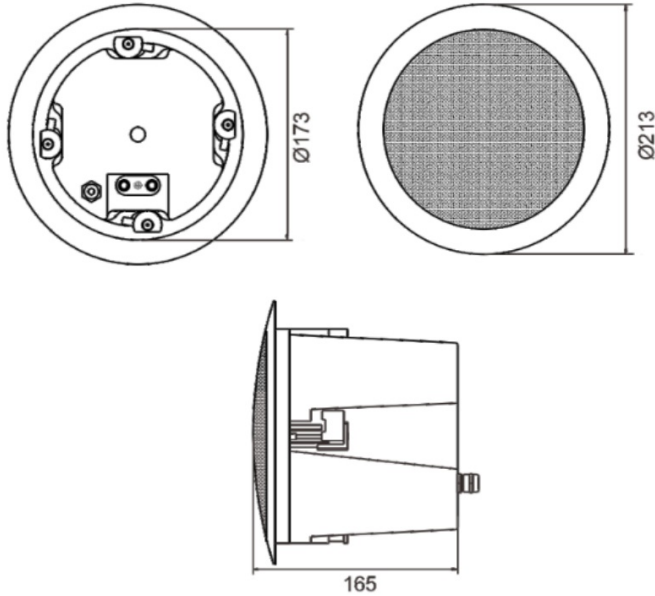
Input Connection



NVS-IP100017SP

IP/SIP Ceiling Speaker

DIMENSION



ORDERING INFORMATION

| Part Number | Description | Standard Quantity |
|----------------|------------------------|-------------------|
| NVS-IP100017SP | IP/SIP Ceiling Speaker | 01 |

ACCESSORIES INFORMATION

| Description | Standard Quantity |
|--|-------------------|
| 2 Pin Pluggable Terminal Block Connector (3.81mm Pitch, AWG 26-16) | 01 |
| Waterproof Joint | 01 |
| Quick Installation Guide | 01 |
| Quality Certificate & Warranty Card | 01 |