

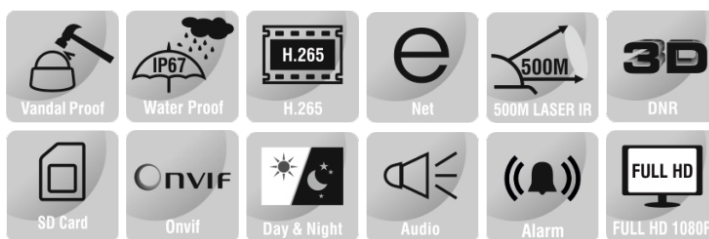
2MP PTZ DOME CAMERA



ENC-HHP5Z-500L-96

FEATURES

- Starlight illumination
- 500m Laser IR Support
- 40x optical zoom
- Triple streams
- ONVIF (Profile S, G, T*)
- IP67, IK10, PoE++
- Auto tracking supported
- Electronic Image stabilization



SPECIFICATION

MODEL	Model No.	ENC-HHP5Z-500L-96
	Type	2MP PTZ DOME CAMERA
CAMERA	Image sensor	1/1.8" CMOS Progressive 2.0 Megapixel
	Day/Night	IR Cut Filter with Auto Switch
	Lens Type	Motorized Zoom Lens
	Focus	Auto / Semi Auto/ Manual
	Lens	5 ~ 200mm (optional 5.5mm ~ 220mm)
	Optical Zoom	40x
	Digital Zoom	16x
	Zoom Speed	<4.4s
	Angle of View (H)	69.1° ~ 2.3°
	Aperture Range	F1.55 ~ F4.5
	Shutter	1s ~ 1/100,000s
	Minimum Illumination	Color: 0.001 lux @ F1.5, B/W: 0.0002 lux, 0 lux with IR
	AGC	Auto / Manual
	Digital noise reduction	2D & 3D DNR
	S/N Ratio	≥52dB
Defog	Digital	
Laser IR	Up to 500 m	
WDR	120dB	

2MP PTZ DOME CAMERA



ENC-HHP5Z-500L-96

MODEL	Model No.	ENC-HHP5Z-500L-96
	Type	2MP PTZ DOME CAMERA
VIDEO	Max. Resolution	1920x1080
	Video Compression	H.265+, H.265, H.264, MJPEG
	Frame Rate	Main Stream: (1920x1080, 1280x960, 1280 x 720) @50/60fps Sub Stream: (704x480, 640x480, 352x240) @ 30fps, (704x576, 640x480, 352x288) @ 25fps Third Stream: : (1920x1080, 1280x960, 1280x720, 640x480) @25/30fps, (704x480, 352x288) @30fps, (704x576, 352x288) @25fps
	Video Bit Rate	CBR, VBR
	Image Settings	Brightness, Contrast, Hue, Saturation, Day/Night, Flip/Mirror
	White Balance	Auto, Manual, Indoor, Outdoor
	HLC	Supported
	BLC	Supported
	OSD	Total 6 regions
	Image Overlay	Supported with 128*128 Pixels. 24bits BMP Type
	Privacy Mask	Up to 4 regions
	EIS	Supported
	AUDIO	Audio Compression
Two-way Audio		Supported
Audio I/O		1/1
SMART	Behavior Detection	Intrusion(Perimeter), Cross line (Tripwire), Region Entry / Exit detection, Auto / Manual Tracking
	Intelligent Identification	Abandoned object(Object Left) , Missing object (Object Lost)
	Statistical Analysis	Face Detection, Human & Vehicle Detection, Scene Change
	General function	IP Address Filtering, Tampering Alarm, Alarm input, Alarm output, IP Address Conflict, Disk Full, Disk RW Error, Network disconnection, HTTPS Encryption, User Authentication
INTERFACE	Protocols	TCP/IP, UDP, IPv6, IPv4, HTTP, HTTPS, DHCP, DNS, DDNS, RTP, RTSP, RTCP, PPPoE, UPnP, FTP, NTP, SMTP, IGMP, ICMP, 802.1x, QoS, SNMP
	Security	IP Filter, AES 128/256 Encryption, User authentication (multiple privilege level), 802.1X authentication, HTTPS encryption, User Access Log
	Compatibility	ONVIF (Profile S, G, T*), SDK, API (Optional)
	Network	1 RJ45 10M/100M self adaptive Ethernet port
	Serial Interface	1xRS485
	CVBS/BNC	Supported
	Edge Storage	SD card slot, up to 256GB
	ANR	Supported
	Alarm I/O	7 Input / 2 Output
	Heater	Supported
	Fan	Supported
	Wiper	Supported
PAN AND TILT	Max. User	16
	Pan Range	0° ~ 360° (Endless)
	Pan Speed	Pan Manual Speed: 0.1° -200%/s, Pan Preset Speed: 240%/s
	Tilt Range	-20° ~ +90° (Auto Flip)
	Tilt Speed	Tilt Manual Speed: 0.1°~160%/s, Tilt Preset Speed: 200%/s
	Number of Presets	300
	Patrol	8, up to 16 presets per cruise/patrol
	3D Positioning	Supported
GENERAL	Power off memory	Supported
	Power	AC24V / DC24V, PoE++(802.3bt-Type 3)
	Max. Power consumption	50W
	Working Environment	-40°C ~ +70°C
	Working Humidity	≤95% RH(Non-condensing)
	Ingress Protection	IP67
	Vandal Resistant	IK10
	Surge Protection	TVS6000V
Dimension	Φ 279x436 mm	
Weight	8.91kg	

*Available in updated version

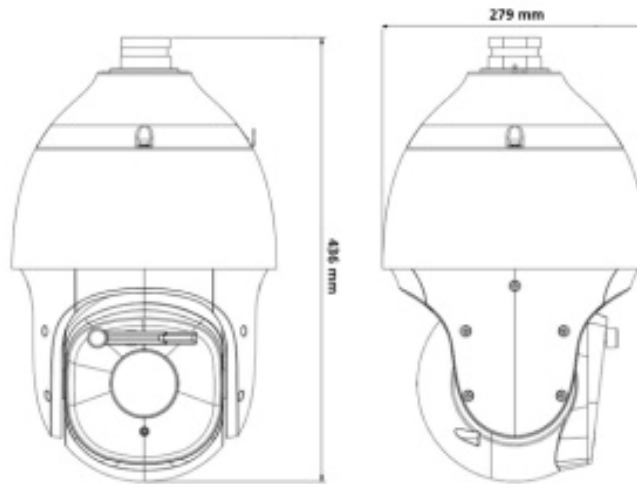
2MP PTZ DOME CAMERA



ENC-HHP5Z-500L-96

MODEL	Model No.	ENC-HHP5Z-500L-96
	Type	2MP PTZ DOME CAMERA

Dimension Unit : mm



ORDERING INFORMATION

Part Number	Description	Standard Quantity
ENC-HHP5Z-500L-96	2MP 60FPS Starlight IR IP H.265 PTZ dome camera with 40X Optical zoom, Micro SD card slot, Smart analytics, WDR, Wiper and 500M Laser IR support	1

PACKING INFORMATION

Part Number	Packing Mode	Gross weight(Kg)	Dimension(mm)
ENC-HHP5Z-500L-96	Carton Box	-	-