

2MP IR IP MINI DOME CAMERA



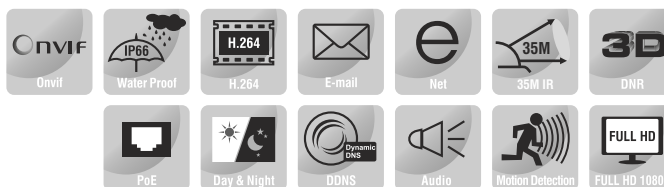
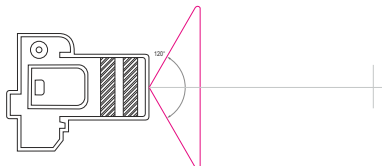
ENC-HCD5V-35R-51

FEATURES

- 1/2.7" Progressive Scan CMOS
- 2.8-12mm lens
- 1080P@30fps
- Multiple Streams
- IR Range 20-35M
- Low bitrate control
- 3D DNR, dWDR, ICR
- Support ROI, Corridor mode, HLC



Field Of View



SPECIFICATION

MODEL	Model No.	ENC-HCD5V-35R-51
	Type	2MP IR IP Mini Dome Camera
CAMERA	Image Sensor	1/2.7" Progressive Scan CMOS
	Min. illumination	Color 0.2Lux;IR ON 0 Lux
	Day/Night	ICR
	Shutter Speed	1/1-1/10000
	Auto Iris	Fixed
	Wide Dynamic Range	dWDR
	Digital Noise Reduction	2D/3D
	Lens	2.8-12mm
	FOV	90°-35°
	IR LED	24pcs
IR Range	25-35M	
IMAGE	Video Compression	H.264 High/Main/Baseline Profile, MJPEG
	Bit Rate (CBR/VBR)	Main stream:500kb-12000kb; Sub stream: 100kb-6000kb
	Audio Compression	G.711, RAW_PCM
	Max. Resolution	1920x1080/30fps
	Stream	Stream1: 1920x1080/1280x720; Stream 2: D1 to QVGA
	Image Setting	Rotate Mode, Saturation, Brightness, Contrast, Sharpness
	HLC	Yes
	9:16 Corridor mode	Yes
	Defog	N/A
	ROI	Yes



2MP IR IP MINI DOME CAMERA

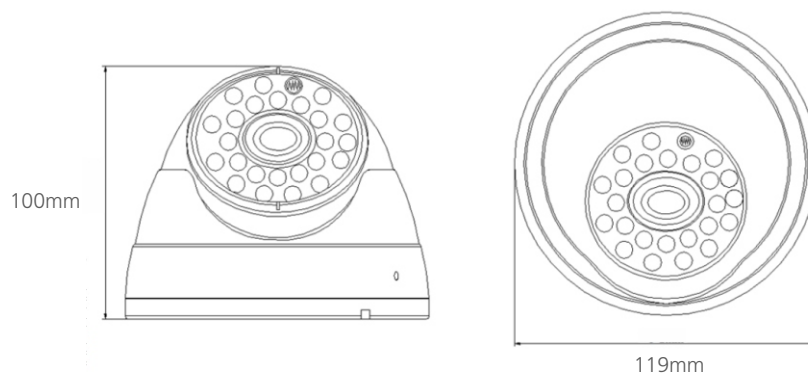


ENC-HCD5V-35R-51

SPECIFICATION

MODEL	Model No.	ENC-HCD5V-35R-51
	Type	2MP IR IP Mini Dome Camera
NETWORK	Network Protocols:	HTTP,HTTPS, TCP/IP, UDP/IP, RTSP, DHCP, NTP, PPPoE, Unicast and Multicast supported.
	Alarm Trigger	Motion Detection, Network disconnect, Disk alarm
	RTSP Video	Standard RFC2326, Support QuickTime / VLC Player.
	Security	User security authentication, Reset, Hardware WatchDog
	Web Language	English, Polish, Italian, Portuguese, Spanish
	System Compatibility	Onvif, CGI
INTERFACE	Ethernet	1 Ethernet (10/100 Base-T) RJ-45 Connector
	Audio I/O	N/A
	Alarm I/O	N/A
	RS485	N/A
	BNC Output	N/A
	Reset Button	N/A
	Edge Storage	N/A
GENERAL	Power Supply	DC 12V/PoE
	Power Consumption	2.5W(IR LED OFF); 5W (IR LED ON)
	Operating Temperature	Starting Temperature: -10°C ~ 50°C (14°F ~ 122°F) Working Temperature: -20°C ~ 50°C (-4°F ~ 122°F)
	Operating Humidity	0% - 90% RH
	Ingress Protection	IP66
	Dimensions	119x119x100mm
	Weight	0.65Kg

Dimension Unit: mm



Ordering Information

Part Number	Description	Standard Quantity
ENC-HCD5V-35R-51	2MP IR IP Mini Dome Camera with 2.8 to 12mm Varifocal lens, PoE and 35M IR Support	1

Packing Information

Part Number	Packing Mode	Gross Weight (kg)	Dimension (mm)
ENC-HCD5V-35R-51	Carton Box	0.65	119x119x100

