

2MP IR 4 IN 1 HYBRID COMPACT DOME CAMERA



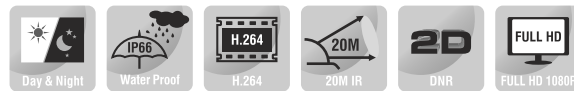
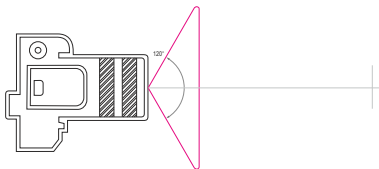
ENC-TCD5F-20R-50

FEATURES

1/2.7" Sony Progressive Scan CMOS
3.6mm
Full HD 1080P
Video Transmission 300m
IR Range 20M
2D DNR, dWDR, ICR
Support AHD/TVI/CVI/CVBS Output
IP66



Field Of View



SPECIFICATION

MODEL	Model No.	ENC-TCD5F-20R-50
	Type	2MP IR 4 in 1 Hybrid Compact Dome Camera
CAMERA	Image Sensor	1/2.7" Sony CMOS
	Signal System	PAL/NTSC
	Min. illumination	Color 0.05Lux(AGC ON);IR ON 0 Lux
	S/N Ratio	≥ 50dB
	Day & Night	ICR
	Shutter Speed	PAL:1/50-1/50000, NTSC:1/60-1/60000
	Wide Dynamic Range	dWDR
	Digital Noise Reduction	2D
	Lens	3.6mm
	FOV	85°
	IR LED	18pcs
	IR Wavelength	850nm
	IR Range	20M
OSD Joystick	Optional	
Up the Coax	Support	
IMAGE	Effective Resolution	1920x1080
	Frame	PAL:25fps, NTSC:30fps
	Mirror	N/A
	Defog	N/A
	HLC	N/A
	Motion Detection	N/A



2MP IR 4 IN 1 HYBRID COMPACT DOME CAMERA

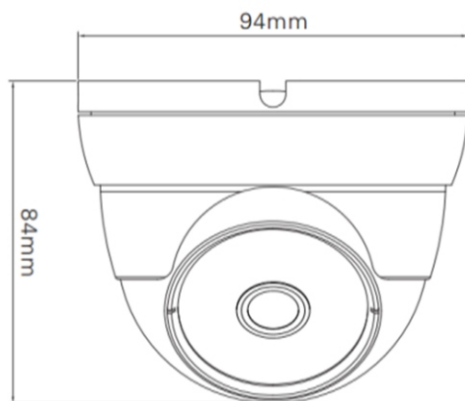


ENC-TCDS5F-20R-50

SPECIFICATION

MODEL	Model No.	ENC-TCDS5F-20R-50
VIDEO	Type	2MP IR 4 in 1 Hybrid Compact Dome Camera
	Max Distance	75-5 300m
	Video Output	AHD/TVI/CVI/CVBS
GENERAL	Power Supply	DC 12V±10%
	Power Consumption	3.5W(Max)
	Operating Temperature	-10°C ~ 55°C (14°F ~ 131°F)
	Operating Humidity	0% - 85% RH
	Ingress Protection	IP66
	Material	Aluminium Alloy
	Dimension	94x94x84mm
	Weight	0.36Kg

Dimension Unit: mm



Ordering Information

Part Number	Description	Standard Quantity
ENC-TCDS5F-20R-50	2MP IR 4 in 1 Hybrid Compact Dome Camera with 3.6mm Fixed Lens and 20M IR support	1

Packing Information

Part Number	Packing Mode	Gross Weight (kg)	Dimension (mm)
ENC-TCDS5F-20R-50	Carton Box	0.36	94x94x84

