

POLE MOUNT BRACKET FOR BULLET CAMERA



ENB-BTUV66

FEATURES

Aluminium Alloy and Steel Material

Max. Load Support up to 5 kg

Pole Mount Bracket for Bullet Camera

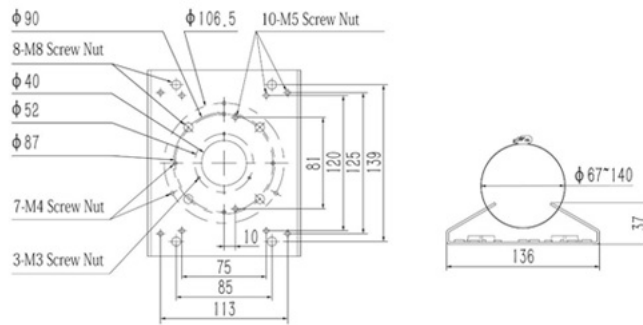
IP66



SPECIFICATION

MODEL	Model No.	ENB-BTUV66
	Type	POLE MOUNT BRACKET FOR BULLET CAMERA
	Construction	Aluminium Alloy and Steel
	Color	White
	Max. Weight Supported	5 Kg
	Dimension of Pole	70 ~ 130 mm
	Dimensions(LxWxH)	136x37x165 mm
	Weight	0.4 kg

Dimension Unit : mm



ORDERING INFORMATION

Part Number	Description	Standard Quantity
ENB-BTUV66	Eyenor Pole Mount Bracket for Bullet Camera	1

PACKING INFORMATION

Part Number	Packing Mode	Gross weight(Kg)	Dimension(mm)
ENB-BTUV66	Carton Box	-	-