

2MP MOTORIZED VANDAL DOME CAMERA



ENC-HVD5M-30R-92

FEATURES

Starlight Illumination
2.7-13.5 mm Motorized Lens
Smart IR up to 30 m
ONVIF Profile (S, G, T)
Triple Stream
Audio and Alarm Support
PoE, IP66, IK10



SPECIFICATION

MODEL	Model No.	ENC-HVD5M-30R-92
	Type	2MP MOTORIZED VANDAL DOME CAMERA
CAMERA	Image Sensor	1/2.8" CMOS Progressive 2.0 MegaPixel
	Day/Night	IR Cut Filter with Auto Switch
	Lens Type	Motorized
	Focal Length	2.7-13.5 mm
	Digital Zoom	16x
	Focus	Auto / Manual
	Iris	DC Auto Iris
	Lens Mount	Φ14
	Angle of View (H)	102.9° ~ 31.4°
	Angle of View (V)	55.0° ~ 17.9°
	Angle Adjustment	Pan 0~330°, Tilt 0~75°, Rotate 0~350°
	Aperture Range	F1.6
	Shutter	1s to 1/100,000s, Auto / Manual
	Min. Illumination	Color: 0.001 lux @ F1.6, B/W: 0 lux with IR
	AGC	Auto / Manual
	Digital Noise Reduction	3D DNR
	S/N Ratio	≥60 dB
Defog	Smart Defog	
WDR	120 dB	
Smart IR	Up to 30 m	
Wavelength	850 nm	
White LEDs	N/A	

2MP MOTORIZED VANDAL DOME CAMERA



ENC-HVD5M-30R-92

MODEL	Model No.	ENC-HVD5M-30R-92
	Type	2MP MOTORIZED VANDAL DOME CAMERA
VIDEO	Max. Resolution	1920x1080
	Video Compression	H.265+, H.265, H.264
	Frame Rate	Main Stream: (1920x1080, 1280x720, 704x480, 640x480) @ 30fps, (1920x1080, 1280x720, 704x576, 640x480) @ 25fps Sub Stream: (704x480, 704x240, 640x360, 352x240) @ 30fps, (704x576, 704x288, 640x360, 352x288) @ 25fps Third Stream: (704x480, 704x240, 640x360, 352x240) @ 5fps, (704x576, 704x288, 640x360, 352x288) @ 5fps
	Stream Settings	i-Frame, PAL/NTSC, Frame Rate (1~30FPS), EIS, SVC
	Video Bit Rate	32 kbps ~ 6 Mbps
	Bitrate Type	CBR, VBR
	Image Settings	Brightness, Contrast, Saturation, Hue, Sharpness, Rotation/Mirror, Gain, Exposure, Day/Night
	White Balance	Auto, Semi Auto, Sunshine, Daylight, Warm Light, Filament, Nature Light, Lock WB, Manual
	HLC	Supported
	BLC	Supported
	OSD	Total 3 regions
	OSD Type	Title, Week, Date, Time, Text with different colors and adaptable sizes (16x16, 32x32, 48x48)
	ROI	Up to 8 regions
	Privacy Mask	Up to 4 regions
AUDIO	Audio Compression	G.711A, G.711U, ADPCM_D
	Audio Bit Rate	8 kbps ~ 48 kbps
	Audio I/O	1/1
	Built-in Mic	Supported with noise cancellation
SMART	Behavior Detection	Intrusion (Perimeter), Crossline (Tripwire)
	Intelligent Identification	N/A
	Statistical Analysis	N/A
	Alarm Management	Motion Detection, Tampering (Masking), IP & MAC Address Conflict
	Alarm Notification	HTTP, FTP, SD Card & Alarm Out (Event Notification / Recording / Snapshot upload through HTTP, FTP & SD Card)
INTERFACE	Protocols	TCP/IP, UDP, IPv4, ICMP, HTTP, FTP, DHCP, DNS, DDNS, RTSP, RTMP, NTP, UPnP, P2P
	Security	AES Video Encryption, IP Filter, User Authentication (Multiple Privilege Level)
	Compatibility	ONVIF Profile (S, G, T), SDK/API/CGI
	Network	1 x RJ45 10M/100M Self Adaptive Ethernet Port
	Wi-Fi	N/A
	Alarm Interface	1 Input / 1 Output
	Serial Interface	N/A
	Edge Storage	Micro SD card slot, up to 512 GB
	ANR	Supported
	Built-in Speaker	N/A
	Built-in Heater	N/A
	Cable Interface	Pig Tail
	Remote Connection	≤8
	Client Application	EyeConnect
Web Language	15	
GENERAL	Power Supply	12V DC, PoE (IEEE 802.3af)
	Max. Power Consumption	6 W (12V DC), 8 W (PoE)
	Working Temperature	-40°C ~ 60°C
	Working Humidity	0-95% RH (non-condensing)
	Ingress Protection	IP67
	Vandal Resistant	IK10
	Extra corrosion resistance coating	Supported (Optional)
	Surge Protection	TVS4000V
	Reset Button	Supported
	Dimensions	Φ143x124 mm
	Net Weight	0.8 Kg

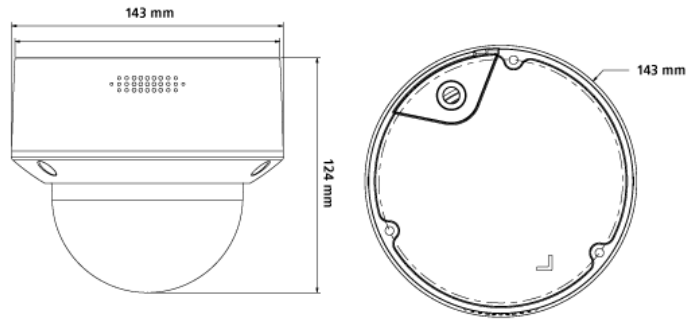
2MP MOTORIZED VANDAL DOME CAMERA



ENC-HVD5M-30R-92

MODEL	Model No.	ENC-HVD5M-30R-92
	Type	2MP MOTORIZED VANDAL DOME CAMERA

Dimension Unit : mm



ORDERING INFORMATION

Part Number	Description	Standard Quantity
ENC-HVD5M-30R-92	2MP Starlight IR IP Vandal Proof Dome Camera with 2.7-13.5mm Motorized Lens, PoE, WDR, SD Card Slot, Built-in Mic and 30m IR Support	1
ENB-BTDW65	Eyenor Wall Mount Bracket for Dome Camera (Plastic)	1
ENB-BTEJ65	Eyenor Junction Box for Motorized Turret Camera	1

PACKING INFORMATION

Part Number	Packing Mode	Gross weight(Kg)	Dimension(mm)
ENC-HVD5M-30R-92	Carton Box	-	-