

# IP Based Paging & intercom Station

IP Based PA System



## DESCRIPTION

The NVS-IP100004PM is a network high-fidelity video intercom paging microphone using TCP/IP, SIP, UDP, and other transmission protocols. It can implement control, visual, intercom, and paging operations. It features low failure rate, stable and dependable operation, and high stability of traditional paging stations. Intelligent control is at the core of the design for signal digital transmission.

## FEATURES

- ⦿ 7 inch high-definition capacitive touch screen with 800×1280 resolution
- ⦿ Integrated 2 MP HD digital camera with physical privacy protection
- ⦿ Built-in digital audio processor for full duplex and hands-free audio intercom
- ⦿ Support file broadcast, pre-recorded broadcast, TTS broadcast to designated zones or terminal
- ⦿ Support initiating and receiving offline call without server relies
- ⦿ Support standard SIP protocol for easy integration with mainstream SIP PBX(Yeastar, Asterisk, Cisco etc.)
- ⦿ Support online viewing of the working status of the other terminals
- ⦿ Support self-defined ringtone of incoming call and broadcast
- ⦿ Support incoming/outgoing call record and query function

Specifications	
Model	NVS-IP100004PM
Power Supply	DC 12V, 1.5A
Standby Power Consumption	≤10W
Audio Codec Protocol	MP3, PCM, ADPCM
Audio Sampling Rate	8kHz - 44.1kHz
Audio Transmission Bit Rate	16 bit, 8kbps-320kbps
Built-in Speaker	1.5W, 4Ω
Signal to Noise Ratio	>82dB
Frequency Response	40Hz - 18kHz
Camera	2 Million Pixel

## NVS-IP100004PM

# IP Based Paging & intercom Station

Video Transmission Bit Rate	512Kbps - 4Mbps
Video Codec	VGA/ 720P/ 1080P
Network Interface	10BASE-T/100BASE-TX, RJ45
Network Protocol	TCP/IP, UDP, ARP, ICMP, IGMP, HTTP, SIP
Configuration Method	Web Interface or DevConfig Tool
Display Screen	7 inch(1280*800), capacitive touch screen
CPU	4-core ARM
RAM	1 GB
ROM	4 GB
Mounting Method	Desktop
Installation Environment	Dry Indoor Locations Only
Operating Temperature	0°C ~ +45°C (32°F - 113°F)
Operating Humidity	≤90% RH (Non-Condensing)
Front Panel Material	Aluminium Alloy
Housing Material	ABS
Colour	Black
Dimension	183.9×169×58.4mm
Weight	0.75 Kg

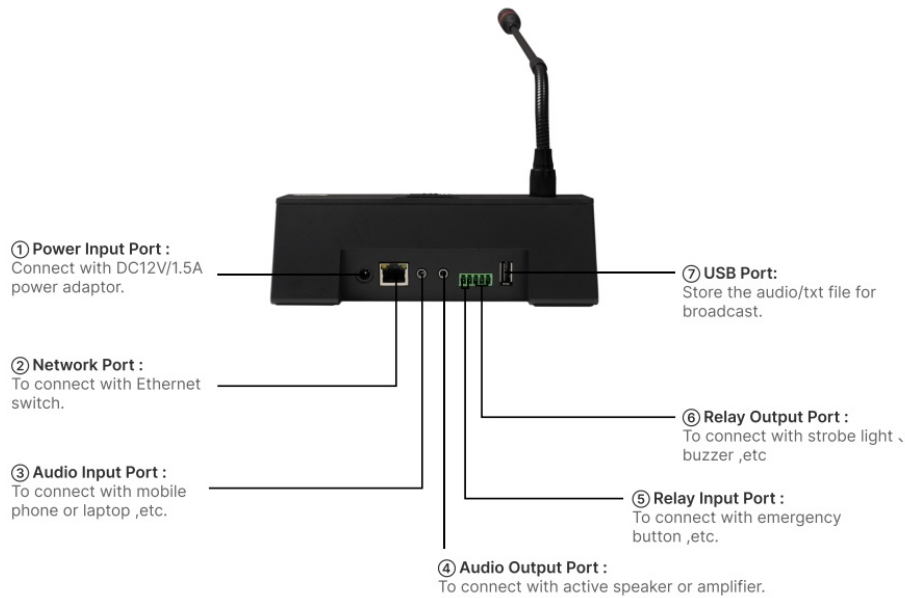
### FRONT PANEL



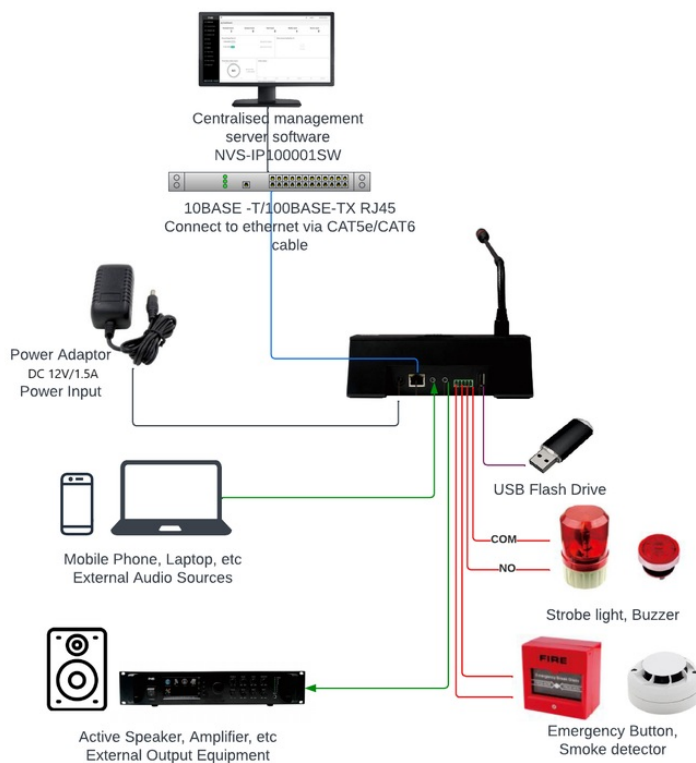
# NVS-IP100004PM

## IP Based Paging & intercom Station

### REAR PANEL

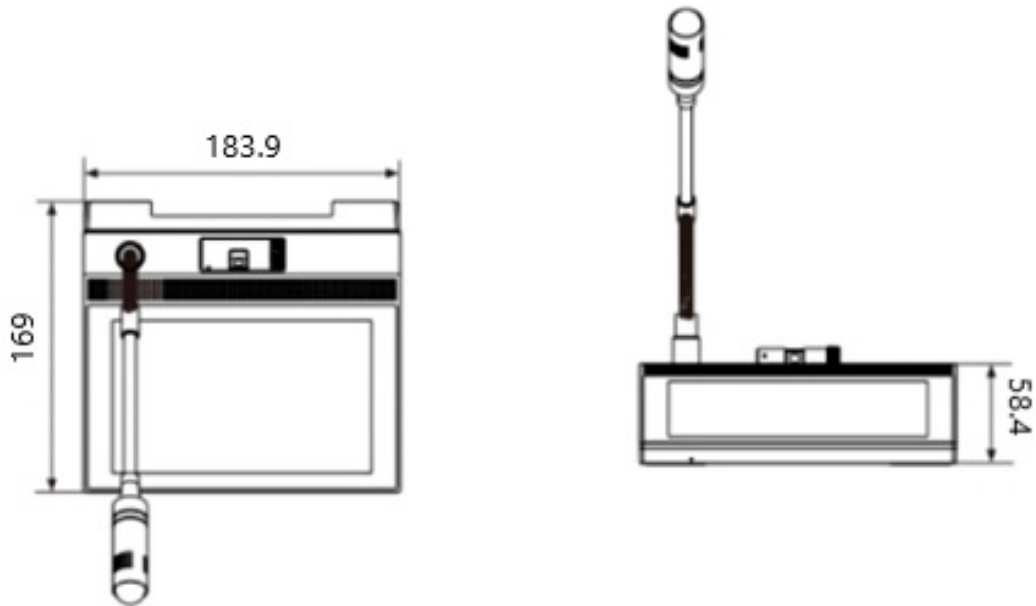


### CONNECTION DIAGRAM



# IP Based Paging & intercom Station

## DIMENSION



## ORDERING INFORMATION

Part Number	Description	Standard Quantity
NVS-IP100004PM	IP Based Paging & intercom Station	01

## ACCESSORIES INFORMATION

Description	Standard Quantity
Terminal Blocks (3.55P)	01
Power Adaptor (DC24V/1.5A)	01
Microphone Rods (IM 320B)	01
Certificate and warranty card	01
Quick Installation Guide	01