

4 Channel 2 way Audio Interface



IP Based PA System

DESCRIPTION

The NVS-IP100028AA is a 4 channel 2 way Audio Interface with the Rack design (1U) and an anti-corrosion panel made of aluminum alloy. It adopts hardware audio encoding. It has 4 built-in alarm inputs and 4 built-in alarm output channels that are utilized as linkage triggers. These outputs can send an alarm signal without voltage to a third party device for online automatic control, making them appropriate for linkage with external equipment. It has the ultra-low network delay of voice transmission, e.g. Broadcast delay $\leq 30\text{ms}$. It is equipped with a standard RJ45 interface supportive of crossing network segment and router, which is accessible to the system if the Ethernet is available that support across network segments and across routes.

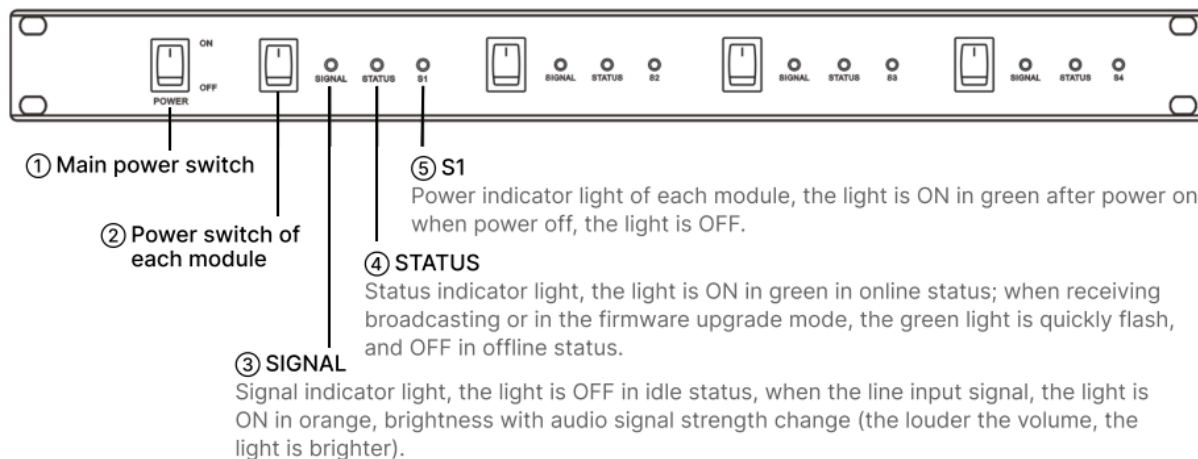
FEATURES

- ◉ 1U Rack Mounted Design: Compact form factor for easy installation in standard server racks
- ◉ Anti Corrosion Brushed Aluminum Panel: Ensures durability and longevity, suitable for various environments
- ◉ Hardware Audio Encoding: Utilizes hardware-based encoding for efficient and reliable audio processing
- ◉ Ultra Low Network Delay: Achieves minimal delay in sound transmission, with broadcast delay $\leq 30\text{ms}$
- ◉ Standard RJ45 Interface: Equipped with RJ45 interface for seamless integration into Ethernet networks
- ◉ Cross Segment and Cross Router Support: Compatible with various network configurations for flexible connectivity
- ◉ Independent Network Decoder Chips: Features 4-way decoder chips capable of simultaneous decoding of 4-way digital audio
- ◉ Remote Volume Adjustment: Allows remote adjustment of volume for individual audio input channels via the network
- ◉ Relay Inputs and Outputs: Provides 4-channel relay inputs and outputs for easy integration with third-party devices

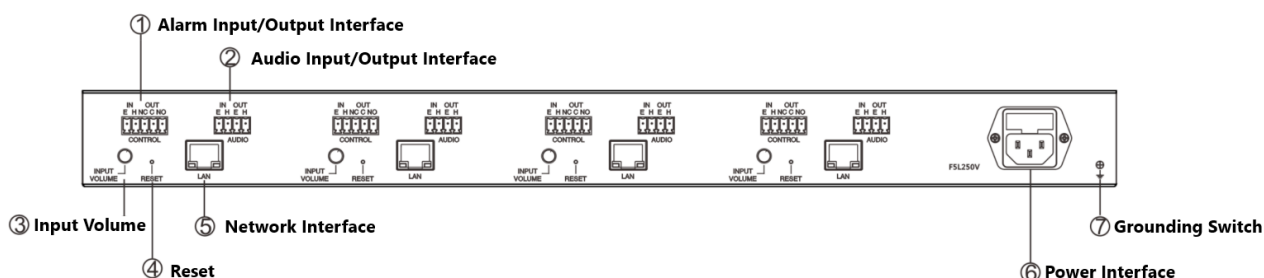
Specifications	
Model	NVS-IP100028AA
Power Supply	AC 180V~240V
Power Consumption	$\leq 20\text{W}$
Audio Codec	MP3, PCM, ADPCM
Audio Sampling & Bit Rate	22.05kHz~48kHz, 16bit
Built-in Speaker	3W, 4 Ω
Signal to Noise Ratio (Broadcast Speaker)	>90dB
Frequency Response	20Hz~16KHz
Network Interface	10BASE-T/100BASE-TX RJ45
Network Protocol	HTTP, TCP/IP, UDP, ARP, ICMP, IGMP
Configuration Method	Web Interface or DevConfig Tool
Mounting Method	Rack Mounted
Installation Environment	Dry Indoor Locations Only
Operating Temperature	-10°C +50°C
Operating Humidity	$\leq 90\%$ RH (Non Condensing)
Housing Material	Metal
Colour	Black
Product Weight	4.2 Kg
Product Dimensions	483x183x44 mm

4 Channel 2 way Audio Interface

FRONT PANEL

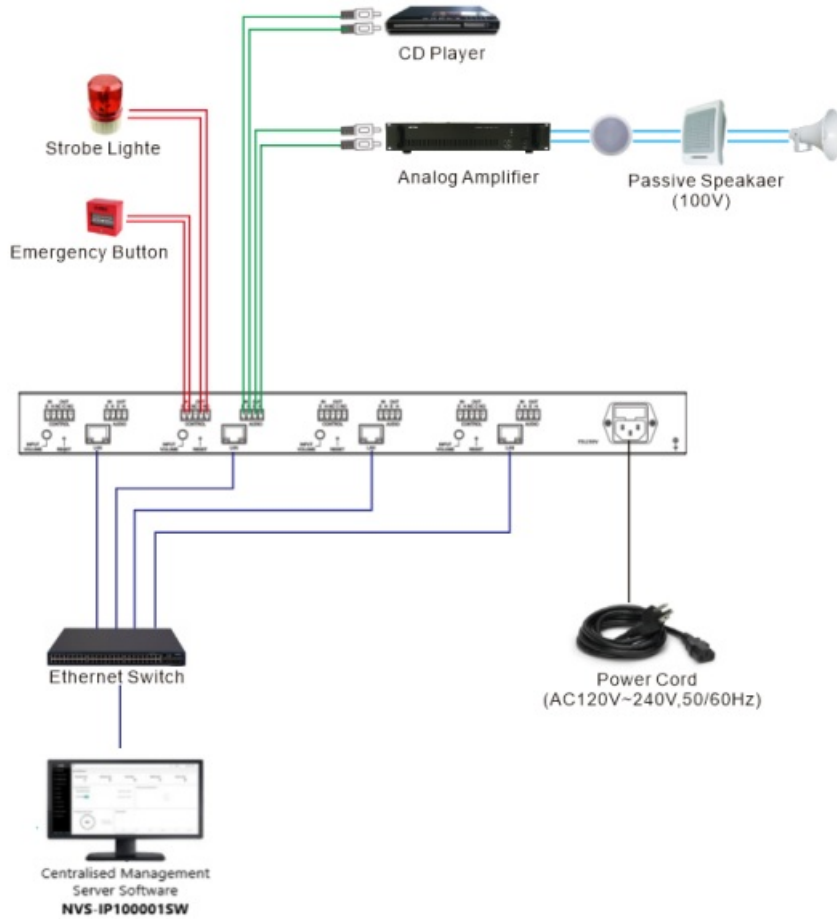


REAR PANEL



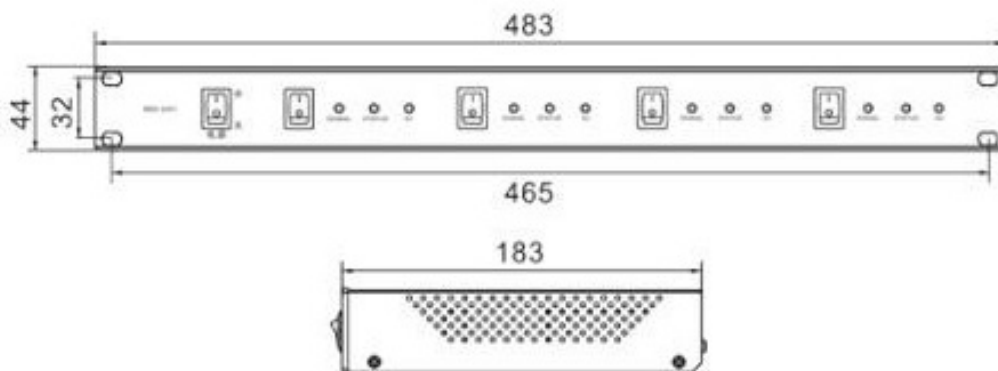
4 Channel 2 way Audio Interface

CONNECTION DIAGRAM



DIMENSION

Unit: mm



NVS-IP100028AA



4 Channel 2 way Audio Interface

ORDERING INFORMATION

Part Number	Description	Standard Quantity
NVS-IP100028AA	4 Channel 2 way Audio Interface	01

ACCESSORIES INFORMATION

Description	Standard Quantity
Quick Installation Guide	01
RCA Audio Cable	04
Power Cord (3*1.0mm ² /1.5m)	01
Terminal (3.5-5P)	04
Terminal (3.5-4P)	04