

# PTZ Conference Camera 20x optical zoom 2.10MP HDMI, SDI & USB

USB Conference Device



## DESCRIPTION

The NVS-UC600055CA is a PTZ conference Camera with 20x optical zoom 2.10MP HDMI, SDI and USB. Even in low light or the extreme contrast of brightness and darkness in a conference room, the superior 20x optical zoom lens, outstanding white balance, and exposure mode delivers a clear image. The camera covers a wide shooting angle and achieves high-speed, quiet and precise positioning with smooth PTZ operations. 20x zoom with HDMI and SDI ideally suited for medium size conference rooms, it connects with any web conferencing system with Windows and Mac OS.

## FEATURES

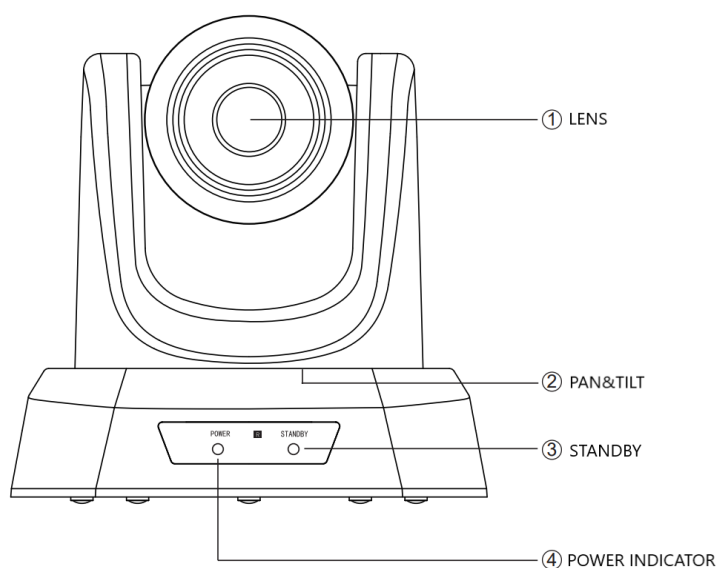
- Crystal clear HD 1080P image quality
- Sleek and intelligent design
- 1/3 inch high quality, 2.38 Mega Pixel (16:9) CMOS sensor
- 20x optical zoom
- USB, HDMI, SDI 3video outputs
- Accurate, smooth and silent PTZ Movement
- Preset: 9 via IR remote setting (256 via RS232)
- Superior quality with Full Glass Lens Material
- 54.7 ° wide field of view with no video distortion
- Support ceiling mount, wall mount and tripod mount (Reverse mountable)
- 2D and 3D NR for best video quality in different lighting conditions
- Support Visca, Pelco-P, and Pelco-D protocol, RS232/RS485 Camera Control
- Compatible with most leading video conferencing software and platform

Specifications	
<b>Model</b>	<b>NVS-UC600055CA</b>
Image Sensor	1/2.9 inch SONY CMOS
Effective pixel	2.38 mega pixel(16:9)
Horizontal Resolution	1080P60/50/30/25fps, 720P60/50/30/25fps
Signal standard	NTSC/PAL
Zoom	20x optical zoom

# PTZ Conference Camera 20x optical zoom 2.10MP HDMI, SDI & USB

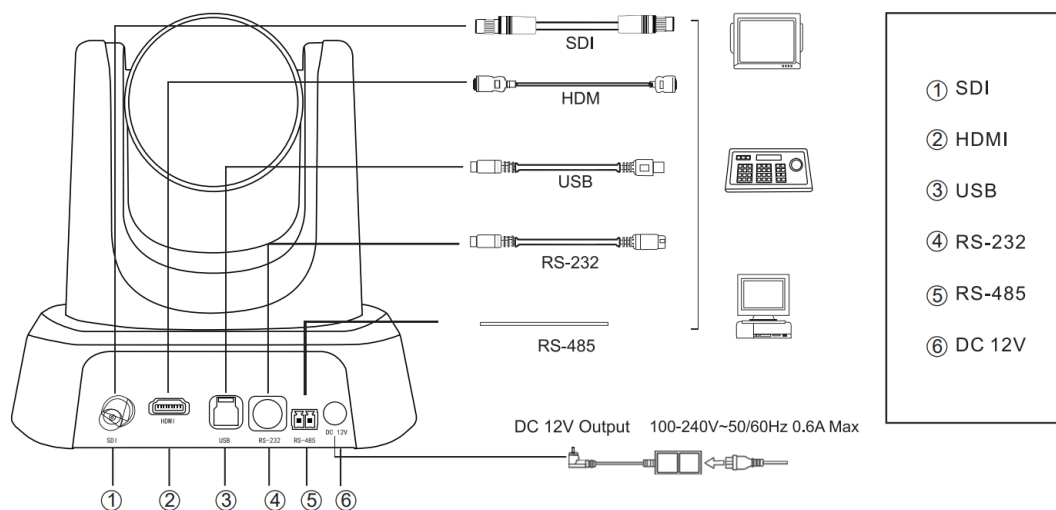
Minimum luminance	0.5Lux at F2.0
Focal length	F=5.5mm-110mm
Horizontal View Angle	Near-end 54.7°~Far-end 3.3°
Gain control	Auto
Focus	Auto
SNR ratio	≥50dB
Shutter speed	8 to 1/10000s (auto)
Preset position	User can set up to 255 presets (10 presets by IR remote)
	PELCO Protocol supports 256 presets
Pan/Tilt movement range	Pan: ±175°(max speed 80°/S) Tilt: -35°~55°(max speed 60°/S)
Control terminal	USB,RS-232, RS485,RJ45
Control Protocol	VISCA, PELCO-D, PELCO-P (RS-232, RS485)
Video output	USB, HDMI, SDI
Video Encoding Format	H.264,H.265, MJPEG, YUY2
Noise Reduction	2D/3D
Baud rate	2400/4800/9600/38400bps
Decoder	Built-in
Address set	1-256
Installation	Support desktop, Tripod, Wall mount and Ceiling mount
Operating temperature	-10°C~50°C
Storage temperature	-20°C~60°C
Power consumption	12 W
Power supply	DC 12V/2A
Net weight	1.5kg
Dimension (LxWxH)	181x184x174mm/257x220x198mm (before / after packing)

## FRONT PANEL



# PTZ Conference Camera 20x optical zoom 2.10MP HDMI, SDI & USB

## REAR PANEL



## ORDERING INFORMATION

Part Number	Description	Standard Quantity
NVS-UC600055CA	PTZ conference Camera 20x optical zoom 2.10MP HDMI, SDI & USB	01

## ACCESSORIES INFORMATION

Description	Standard Quantity
Remote Control	1
3M USB Cable	1
DC 12V Power Adapter	1
Wall Mount Bracket	1
Mounting Screws	4
User Manual	1